

## RESTAURANT RANGES

**VULCAN****36" ELECTRIC  
SALAMANDER BROILER**

Model 36ESB

**SPECIFICATIONS**

Electric salamander broiler, Vulcan Model No. 36ESB. Stainless steel front, top and sides. 4500 watt element with dual heat controls with improved temperature control (250°F-800°F at rack). Cool-to-the-touch knob on lever provides positive positioning of the broiling carriage. Heavy-duty chrome plated broiling grid measures 27½"w x 13"d. Removable full width spillage pan.

**Exterior Dimensions:**

36"w x 19"d x 17⅝"h.

CSA Design Certified. NSF Listed.

- 36ESB-208** 36" Salamander Broiler / 208V
- 36ESB-240** 36" Salamander Broiler / 240V
- 36ESB-480** 36" Salamander Broiler / 480V

**STANDARD FEATURES**

- Stainless steel front, top and sides.
- Dual heat controls for zone cooking.
- (2) 2250 watt heating elements for better cooking zone control.
- (2) infinite switch controls 208 & 240 volt.
- (2) 4 position, 3 heat, switch 480 volt.
- Cool-to-the-touch knob on lever provides positive positioning of the broiler carriage (6 positions).
- Heavy-duty chrome plated grid (27½"w x 13"d).
- Removable full width spillage pan.
- Standard voltage 208, 240 or 480 volt, 1 or 3 phase power supply.

**OPTIONS**

- Set of wall mount brackets.
- Set of 4" legs with adjustable feet.
- Stainless steel reinforced shelf for range mount.
- Range inter-plumb kit.
- Stainless steel back panel.
- Stainless steel bottom panel.

**VULCAN**

a division of ITW Food Equipment Group LLC

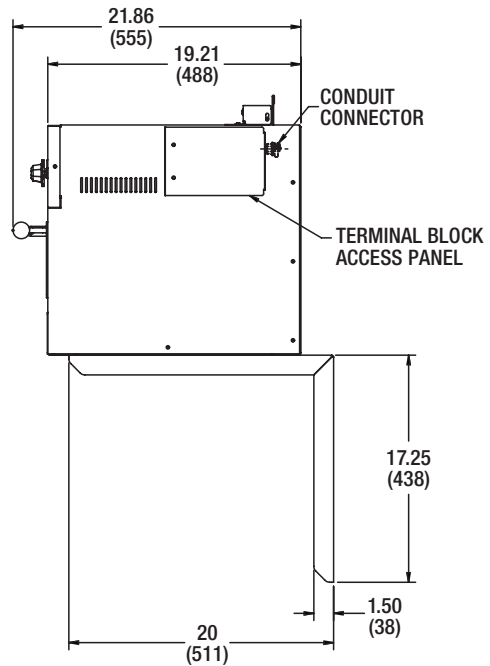
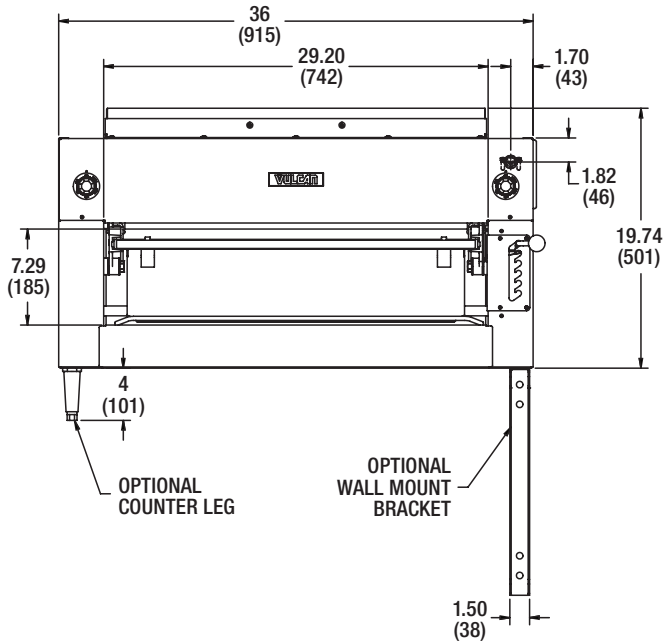
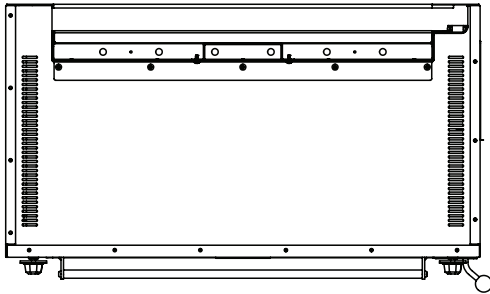
P.O. Box 696 ■ Louisville, KY 40201 ■ Toll-free: 1-800-814-2028 ■ Local: 502-778-2791 ■ Quote &amp; Order Fax: 1-800-444-0602



# 36" ELECTRIC SALAMANDER BROILER

## INSTALLATION INSTRUCTIONS

Clearances from Combustible Construction	Rear	Sides
ESB Salamander Broiler	2"	8"



3 PHASE LOADING					NOMINAL AMPS PER LINE WIRE											
MODEL NUMBER	TOTAL CONN. KW	KW PER PHASE			3 PHASE CONNECTION									SINGLE PHASE		
					208 VOLT			240 VOLT			480 VOLT					
		X-Y	Y-Z	Z-X	X	Y	Z	X	Y	Z	X	Y	Z	208V	240V	480V
36ESB-208	4.50	2.25	2.25	0.00	9.4	18.7	9.4	0.0	0.0	0.0	0.0	0.0	0.0	21.6	0.0	0.0
36ESB-240	4.50	2.25	2.25	0.00	0.0	0.0	0.0	8.1	16.2	8.1	0.0	0.0	0.0	0.0	18.8	0.0
36ESB-480	4.50	2.25	2.25	0.00	0.0	0.0	0.0	0.0	0.0	0.0	4.1	8.1	4.1	0.0	0.0	9.4

This appliance is manufactured for commercial use only and is not intended for home use.



a division of ITW Food Equipment Group LLC

P.O. Box 696 ■ Louisville, KY 40201 ■ Toll-free: 1-800-814-2028 ■ Local: 502-778-2791 ■ Quote & Order Fax: 1-800-444-0602

**NOTE:** In line with its policy to continually improve its products, Vulcan reserves the right to change materials and specifications without notice.