



T&S BRASS AND BRONZE WORKS, INC.

2 SADDLEBACK COVE / P.O. BOX 1088 / TRAVELERS REST, SC 29690

PHONE 800-476-4103

FAX 864- 834-3518



REG. #A2601
ISO #9001

Model No.

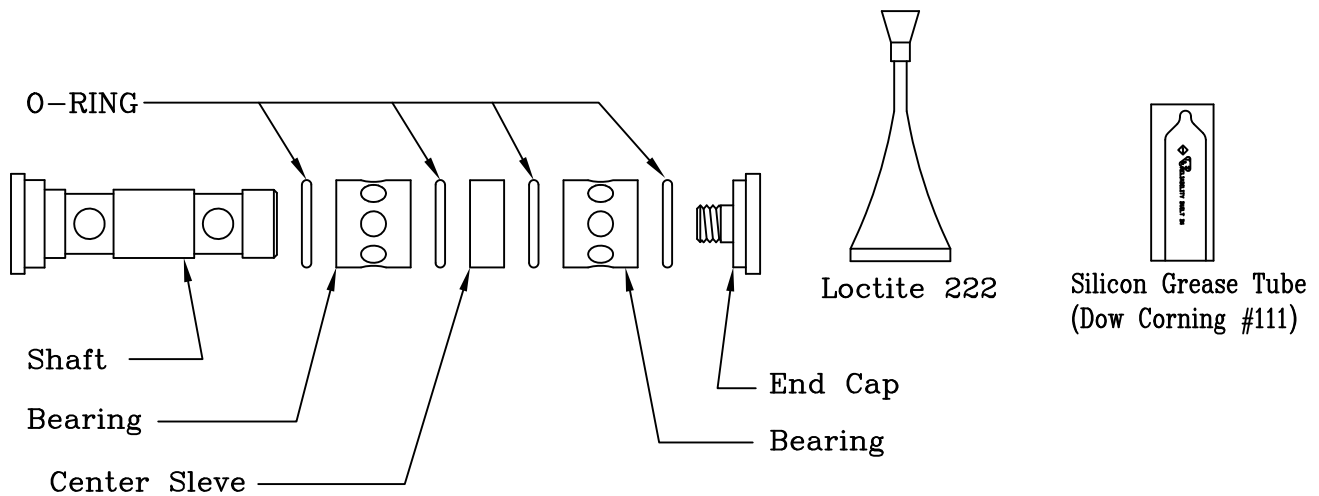
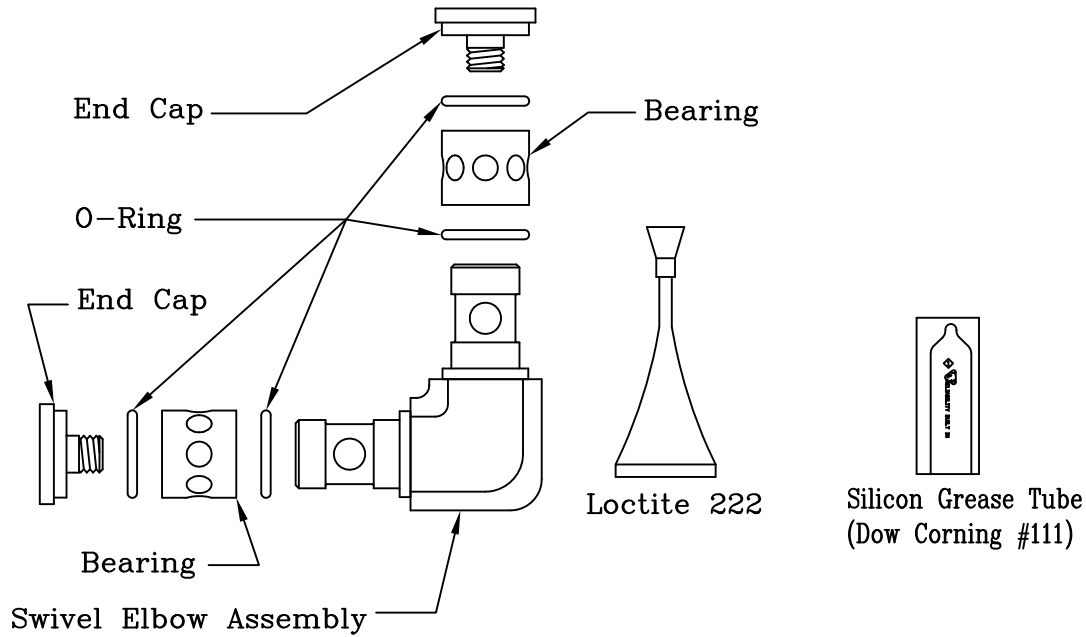
B-0114-RK

Item No.:

Job Name:

Architect/Engineer Approval:

Notes:



Product Description:

Drawn:

Checked

Scale:

B-0114 Nautilus Repair Kit
(009227-40 & 009228-40)

DHL

MAV

1:4

Approved

Date:

JHB

02/07/08