



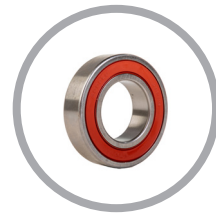
N2030 - 2000lb Nugget Ice Machine

Prodigy Plus® Nugget Ice Machine



Features & Benefits

- Extra large production capacity in a small footprint
- Available in softer, Original Chewable Nugget Ice or harder, H² Nugget Ice
- Sealed, maintenance-free bearings for reduced preventative maintenance and long-lasting performance
- Stainless steel evaporator and auger for maximum durability
- AutoAlert™ indicator lights for better visibility
- Operational footprint among the industry's smallest
- Unit specific QR code for quick access to service manuals, cleaning guides and warranty history
- Smart-Board™ advanced feature module available for additional diagnostic capabilities
- Optional Vari-Smart™ ice level control allows operators to customize ice levels
- Antimicrobial protection guards internal surfaces between cleanings
- Sealed refrigeration system minimizes outside airborne contamination
- Inherently more energy and water efficient than cube machines



Sealed, maintenance-free bearings ensure maximum reliability and contribute to a long machine life



Available in softer, Original Chewable Nugget Ice or harder, H² Nugget Ice



24 Hour Volume Production

Original Chewable Nugget

Remote Cooled		Water Cooled	
70°F/21°C	Air	90°F/32°C	70°F/21°C
50°F/10°C	Water	70°F/21°C	50°F/10°C
2008/911	1620/735	2121/962	1762/799
lb/kg	lb/kg	lb/kg	lb/kg



24 Hour Volume Production

H² Nugget

Remote Cooled		Water Cooled	
70°F/21°C	Air	90°F/32°C	70°F/21°C
50°F/10°C	Water	70°F/21°C	50°F/10°C
1839/834	1590/721	1943/881	1636/742
lb/kg	lb/kg	lb/kg	lb/kg



Modular Bin & Dispenser Options

Model Number*	Dimensions W" x D" x H"	Bin Application		Ship Weight lb/kg
		Capacity lb/kg	Finish	
B948S	48 x 34 x 44**	893/406	Metallic	209/95
BH1100BB-A	48 x 34 x 50**	1100/499	SS w/ GBB†	280/127
BH1100SS-A	48 x 34 x 50**	1100/499	Stainless Steel	280/127
BH1300BB-A	60 x 34 x 50**	1400/635	SS w/ GBB†	310/141
BH1300SS-A	60 x 34 x 50**	1400/635	Stainless Steel	310/141
BH1600BB-A	60 x 34 x 62**	1755/796	SS w/ GBB†	370/168
BH1600SS-A	60 x 34 x 62**	1755/796	Stainless Steel	370/168

*Contact Scotsman for bin top requirements. **Add 6" Height for bin legs.
† Stainless steel with galvanized back & bottom.



Nugget Ice

Original Chewable Nugget
Ice Hardness Rating*: Soft = 74%
Dimensions: 7/16" x 5/16" x 3/8"

H² Nugget
Ice Hardness Rating*: Hard = 86%
Dimensions: 3/4" x 5/16" x 3/8"

*Approximation, values may vary by model



Certification



Warranty

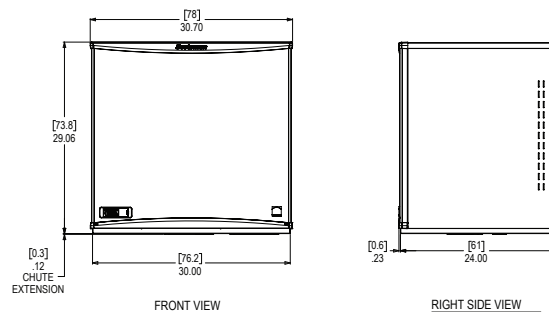
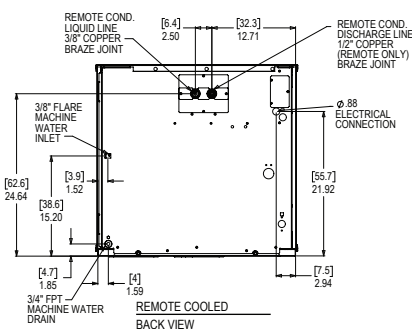
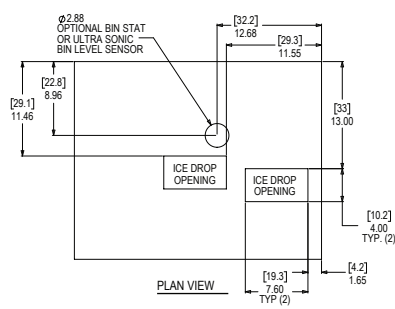
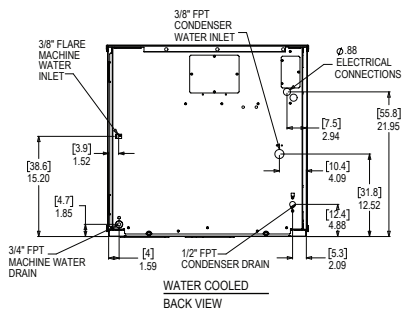
- 3 years parts and labor on all components.
- 5 years parts on the compressor.
- Warranty valid in North, South & Central America for commercial installations.
- Contact factory for warranty in other regions.
- Residential Applications: 1 year parts and labor



N2030 - 2000lb Nugget Ice Machine

N2030 - 2000lb Nugget Ice Machine

Prodigy Plus® Nugget Ice Machine



N2030 - 2000lb Nugget Ice Machine



Specifications

Model Number Nugget Type: Soft or Hard	Condenser Unit	Basic Electrical Volts/Hz/Phase	Max. Fuse Size or HACR Circuit Breaker (amps)	Circuit Wires	Min. Circuit Ampacity	Energy Consumption kWh/100 lb (45.4 kg) 90°F(32°C)/70°F(21°C)	Water Usage Gallons/100 lb (liters/45.4 kg)		
							Potable 90°F(32°C)/70°F(21°C)	Condenser 90°F(32°C)/70°F(21°C)	
soft	NS2030R-32	Remote	208-230/60/1	30	2	25.2	3.45	12.0/45.5	-
	NS2030R-3	Remote	208-230/60/3	20	3	15.2	3.45	12.0/45.5	-
	NS2030W-32	Water	208-230/60/1	30	2	22.2	2.82	12.0/45.5	99/375
	NS2030W-3	Water	208-230/60/3	20	3	13.2	2.82	12.0/45.5	99/375
hard	NH2030R-32	Remote	208-230/60/1	30	2	25.2	3.86	12.0/45.5	-
	NH2030R-3	Remote	208-230/60/3	20	3	15.2	3.86	12.0/45.5	-
	NH2030W-32	Water	208-230/60/1	30	2	22.2	3.04	12.0/45.5	119/450
	NH2030W-3	Water	208-230/60/3	15	3	13.2	3.04	12.0/45.5	119/450



All Models

Dimensions (W x D x H):	
Unit:	30" x 24" x 29" (76.2 x 61.0 x 74.0 cm)
Shipping Carton:	33.5" x 27.5" x 34" (85.1 x 69.9 x 86.4 cm)

Shipping Weight: 350 lb / 159 kg BTUs per hour: 24,400

Refrigerant: R-404A



Accessories

Model Number	Description
ERC611-32	Remote condenser for N2030R, 208-230V/60/1
B RTE10	Line set, 10ft, brazing required.
B RTE25	Line set, 25ft, brazing required.
B RTE40	Line set, 40ft, brazing required.
B RTE75	Line set, 75ft, brazing required.
KVS	Vari-Smart™ Ice Level Control - Program ice bin levels to match ice needs.
KSBU	Smart-Board™ Advanced Control - Use additional operational data for fast diagnosis.
KSBU-N	Smart-Board™ Advanced Control with Network - Network capable.
KPAS	Prodigy Advanced Sustainability Kit - Includes KVS and KSBU - N

Scotsman recommends all ice machines have water filtration. See Scotsman water filter specification sheet for details.



Operating Requirements

	Minimum	Maximum
Air Temperatures	50°F (10°C)	100°F (38°C)
Water Temperatures	40°F (4.4°C)	100°F (38°C)
Remote Cond. Temps	-20°F (-29°C)	120°F (49°C)
Water Pressures	20 PSIG (1.4 bar)	80 PSIG (5.5 bar)
Electrical Voltage	-5%	+10%

Specifications and design are subject to change without notice.

an Ali Group Company

- 101 Corporate Woods Parkway, Vernon Hills, IL 60061
- 1-800-SCOTSMAN • Fax: 847-913-9844
- www.scotsman-ice.com • customer.relations@scotsman-ice.com



The Spirit of Excellence



SIS-SS-PP-N2030 04-21