



Model: _____ Item #: _____ Date: _____
 Project: _____ Qty: _____ Approved By: _____

Royal Series Storage Cabinets

Royal Series Underbar



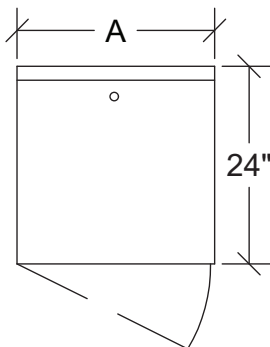
KR24-PC18 Shown

STANDARD FEATURES

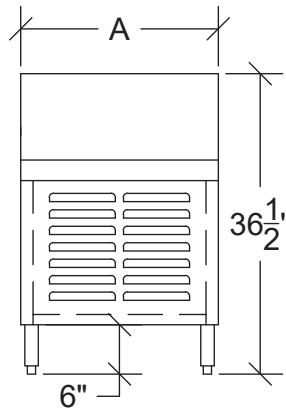
Top	Low profile side splashes to protect P.O.S. while improving bartender ergonomics
Front Apron	20 gauge stainless steel
Back Splash	20 gauge stainless steel
Sides	20 gauge stainless steel
Door	20 gauge stainless steel Louvered door for ventilation Locks standard
Back and Bottom	20 gauge stainless steel
Legs	1-5/8" tubular 16 gauge stainless steel with grey plastic bullet foot
Dimensions	26" working height, 24" front to back Allows P.O.S. Station and cash drawer to fit under bar top
Electrical	Cord access on inside and on top of unit

Model Numbers	Overall Length Ⓐ	Depth	Weight (lbs.)
KR24-PC18	18"	24"	60
KR24-PC24	24"	24"	70

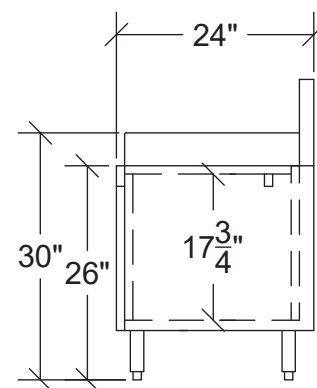
Top View



Front View



Side View



Conforms to NSF St. 2