



Model: \_\_\_\_\_ Item #: \_\_\_\_\_ Date: \_\_\_\_\_

Project: \_\_\_\_\_ Qty: \_\_\_\_\_ Approved By: \_\_\_\_\_

# Drainboard Top Filler Sections

**ROYAL SERIES**



KR24-DRC45 SHOWN



KR24-DF45 SHOWN

## Standard Features

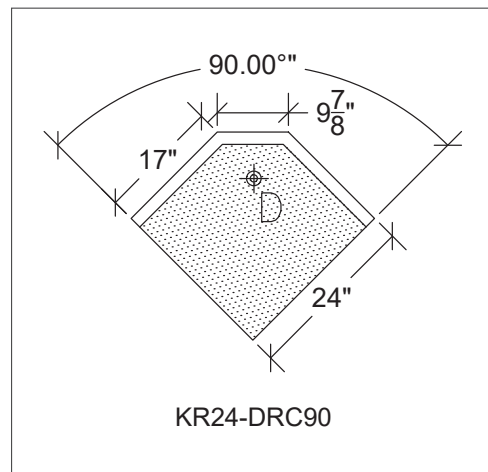
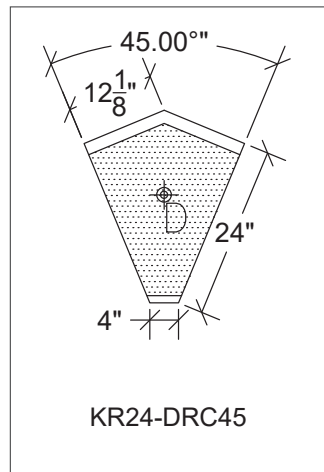
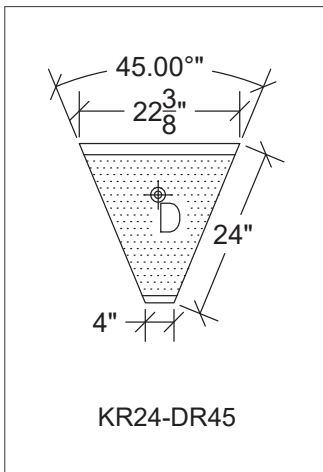
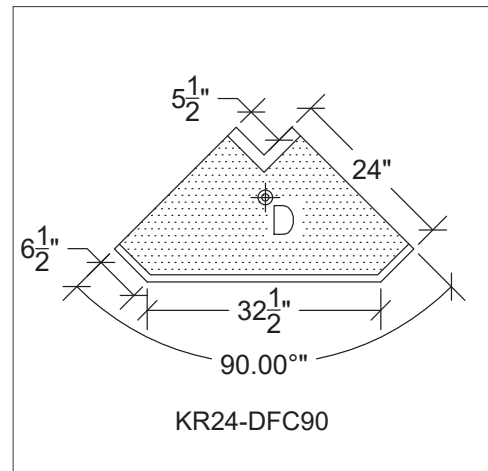
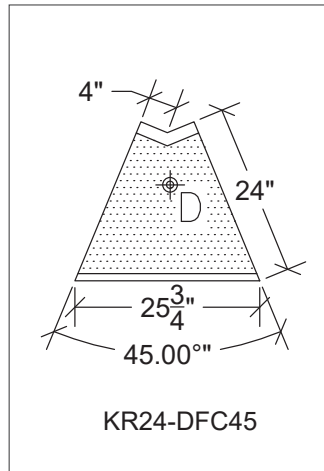
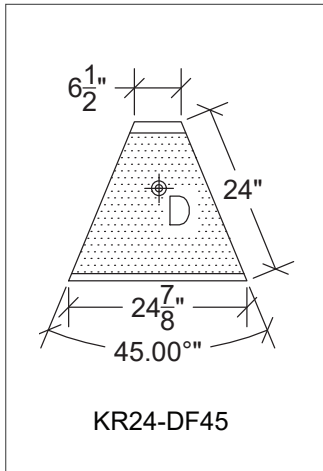
- Front Apron**   ▪ 20 gauge stainless steel

---

- Top**            ▪ 20 gauge stainless steel

---

- Backsplash**   ▪ 20 gauge stainless steel clad over 20 gauge galvanized steel



Conforms to NSF St. 2