



Model: _____ Item #: _____ Date: _____

Project: _____ Qty: _____ Approved By: _____

Underbar Drainboards & Corner Drainboards

ROYAL SERIES



Standard Features

- **Drainboard**
20 gauge embossed stainless steel reinforced with welded braces every 6 inches. $\frac{3}{4}$ " radius on all vertical and horizontal edges
- **Front Apron**
20 gauge stainless steel clad over 20 gauge galvanized steel
- **Sides**
20 gauge stainless steel
- **Backsplash**
20 gauge stainless steel
- **Back and Bottom**
20 gauge stainless steel
- **Legs**
1 $\frac{5}{8}$ " tubular 16 gauge stainless steel with grey plastic bullet foot
- **Plumbing**
1" IPS drain connection



Optional Accessories

- KR-201** 4" x 4" Chase for Beer/Soda Lines
- KR-203** $\frac{3}{4}$ " x 3 $\frac{1}{2}$ " Soda Line Cutout in Backsplash
- KR-204** 3 $\frac{1}{2}$ " Round Cutout for Soda/Beer Lines in Drainboard
- KR-301** Right End Return (Corner)
- KR-302** Left End Return (Corner)
- KR-310** Right End Splash for KR19
- KR-303** Right and Left End Splash for KR19
- KR-311** Left End Splash for KR19
- KR-313** Left and Right Side Splash for KR24
- KR-314** Right End Side Splash for KR24
- KR-315** Left End Side Splash for KR24
- KR-401** Cap Catcher and Bottle Opener
- RS-"XX"** Sound Deadened Single Speedrail ("XX" indicates size)
- RD-"XX"** Sound Deadened Double Speedrail ("XX" indicates size)



Conforms to NSF St. 2



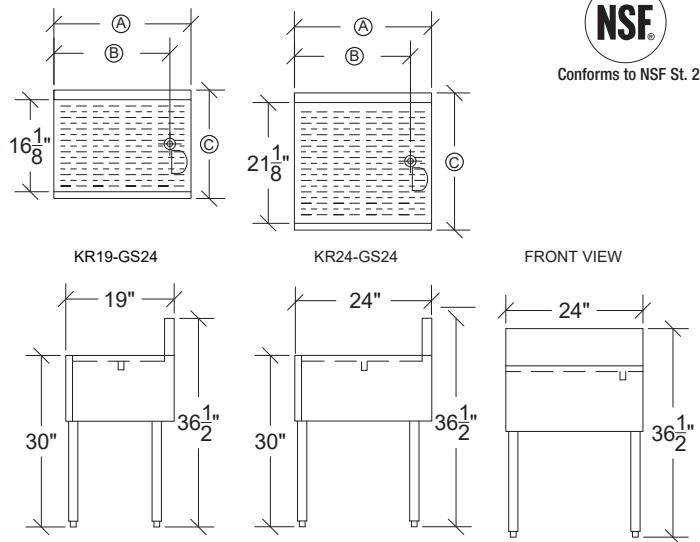
Model: _____ Item #: _____ Date: _____
 Project: _____ Qty: _____ Approved By: _____

Underbar Drainboards & Corner Drainboards

ROYAL SERIES

Underbar Drainboards

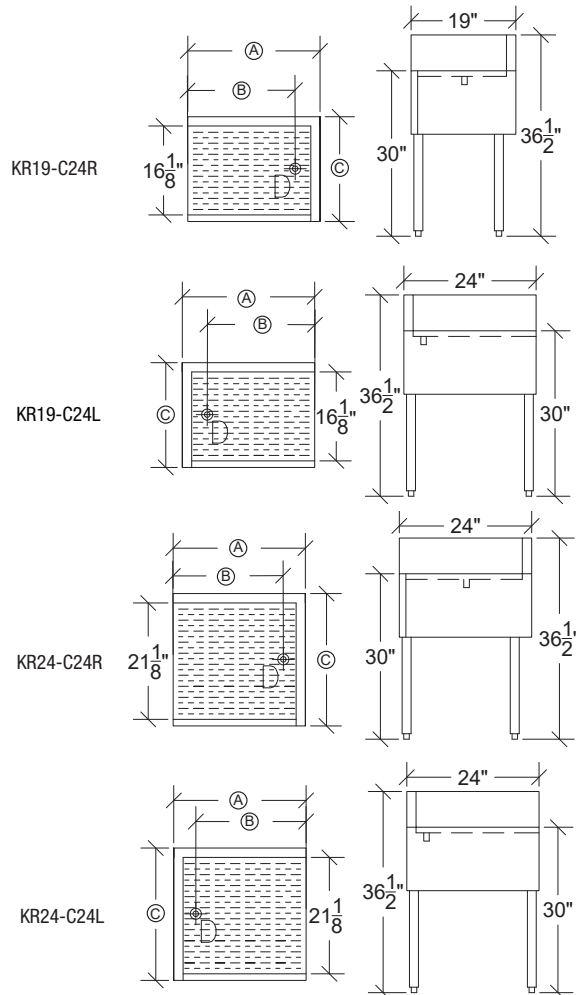
Model	Overall Length A	Left Side to Drain B	Depth C	Back Side to Drain	Weight (lbs.)
KR19-GS12	12"	6"	19"	9-1/2"	38
KR24-GS12	12"	6"	24"	11-1/2"	43
KR19-GS18	18"	14"	19"	9-1/2"	44
KR24-GS18	18"	14"	24"	11-1/2"	49
KR19-GS24	24"	20"	19"	9-1/2"	50
KR24-GS24	24"	20"	24"	11-1/2"	55
KR19-GS30	30"	26"	19"	9-1/2"	56
KR24-GS30	30"	26"	24"	11-1/2"	61
KR19-GS36	36"	32"	19"	9-1/2"	62
KR24-GS36	36"	32"	24"	11-1/2"	68
KR19-GS42	42"	21"	19"	9-1/2"	68
KR24-GS42	42"	21"	24"	11-1/2"	75
KR19-GS48	48"	24"	19"	9-1/2"	74
KR24-GS48	48"	24"	24"	11-1/2"	82



Conforms to NSF St. 2

Underbar Corner Drainboards

Model	Overall Length A	Left Side to Drain B	Depth C	Back Side to Drain	Return End	Weight (lbs.)
KR19-C18L	18"	14"	19"	9-1/2"	Left	41
KR19-C18R	18"	14"	19"	9-1/2"	Right	41
KR24-C18R	18"	14"	24"	11-1/2"	Left	51
KR24-C18L	18"	14"	24"	11-1/2"	Right	51
KR19-C24R	24"	20"	19"	9-1/2"	Left	47
KR19-C24L	24"	20"	19"	9-1/2"	Right	47
KR24-C24R	24"	20"	24"	11-1/2"	Left	57
KR24-C24L	24"	20"	24"	11-1/2"	Right	57
KR19-C30R	30"	26"	19"	9-1/2"	Left	53
KR19-C30L	30"	26"	24"	11-1/2"	Right	53
KR24-C30R	30"	26"	19"	9-1/2"	Left	64
KR24-C30L	30"	26"	24"	11-1/2"	Right	64
KR19-C36R	36"	32"	19"	9-1/2"	Left	59
KR19-C36L	36"	32"	24"	11-1/2"	Right	59
KR24-C36R	36"	32"	19"	9-1/2"	Left	70
KR24-C36L	36"	32"	24"	11-1/2"	Right	70
KR19-C42R	42"	21"	19"	9-1/2"	Left	65
KR19-C42L	42"	21"	24"	11-1/2"	Right	65
KR24-C42R	42"	21"	19"	9-1/2"	Left	77
KR24-C42L	42"	21"	24"	11-1/2"	Right	77
KR19-C48R	48"	24"	19"	9-1/2"	Left	71
KR19-C48L	48"	24"	24"	11-1/2"	Right	71
KR24-C48R	48"	24"	19"	9-1/2"	Left	85
KR24-C48L	48"	24"	24"	11-1/2"	Right	85



Conforms to NSF St. 2