

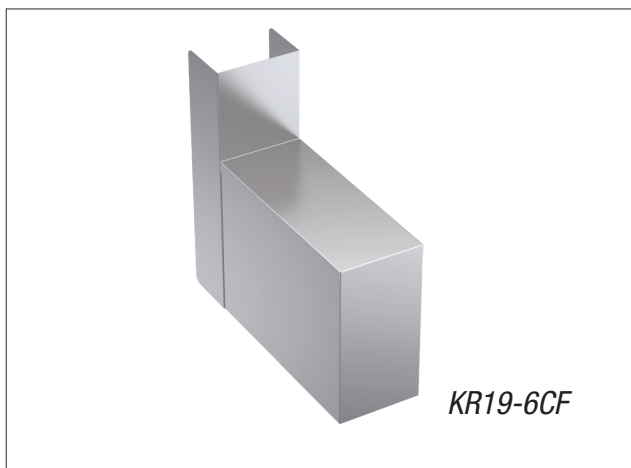


Model: _____ Item #: _____ Date: _____

Project: _____ Qty: _____ Approved By: _____

Royal Series Chase Fillers and Soda Gun Holders

Royal Series Underbar



STANDARD FEATURES

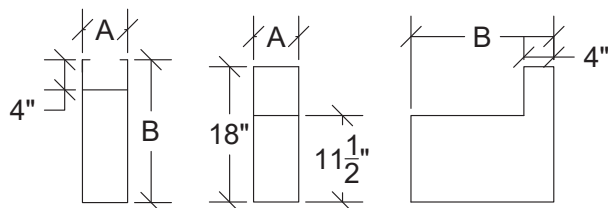
Front Apron	20 gauge stainless steel clad over 20 gauge galvanized steel
Backsplash	20 gauge stainless steel
Sides	18 gauge stainless steel

STANDARD FEATURES

Front Apron	20 gauge stainless steel clad over 20 gauge galvanized steel
Backsplash	20 gauge stainless steel
Sides	20 gauge stainless steel

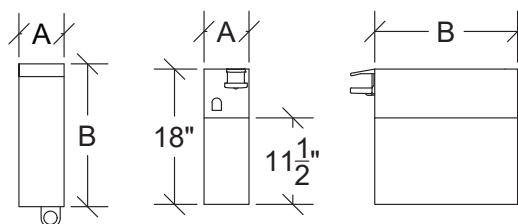
CHASE FILLER

Model Numbers	Overall Length Ⓐ	Overall Depth Ⓑ	Weight (lbs.)
KR19-6CF	6"	19"	27
KR19-6CFD	6"	24"	33



SODA GUN HOLDER

Model Numbers	Overall Length Ⓐ	Overall Depth Ⓑ	Weight (lbs.)
KR19-4SH-L	4"	19"	25
KR19-4SH-R	4"	19"	25
KR19-6SH	6"	19"	27
KR24-6SH	6"	24"	33



Conforms to NSF St. 2