

Model: _____ Item #: _____ Date: _____

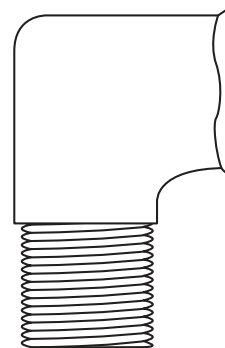
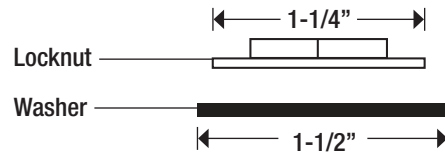
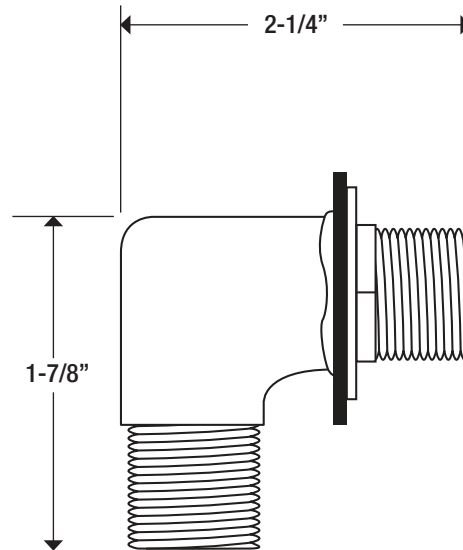
Project: _____ Qty: _____ Approved By: _____

Model 21-190L Wall Faucet Mounting Kit

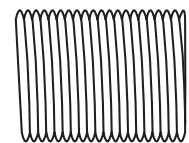


Standard Features

- Allows for installation of wall faucets and pre-rinses within standard backsplash space
- Designed for simple installation
- Lead free
- Contains two of each:
 - 1/2" NPS Nipples
 - 1/2" NPT x 1/2" threaded sweat ell
 - Washers
 - Locknuts



1/2" NPT x 1/2"
threaded sweat ell



1/2" NPS Nipple