



STANDARD SERIES UNDERBAR

ADD-ON DRAINBOARDS / BOTTLE STORAGE

MODEL: _____ PROJECT: _____ ITEM #: _____ QTY: _____

PRODUCT IMAGES



18-12DD SHOWN

18-12IB SHOWN

AVAILABLE IN 1800 or 2100 SERIES

STANDARD FEATURES

- **Drainboard**
20 gauge stainless steel
- **Bottle Storage**
20 gauge stainless steel liner. 6 bottle capacity. 8" deep
- **Backsplash (All Units)**
22 gauge stainless steel
- **Sides (All Units)**
20 gauge stainless steel
- **Back and Bottom (All Units)**
20 gauge galvanized steel
- **Legs**
1 5/8" tubular 16 gauge galvanized steel with grey plastic bullet foot
- **Plumbing**
1" IPS drain connection

OPTIONAL ACCESSORIES

- **C-30** Left and Right End Side Splashes
- **C-36** Upgrade: Stainless Steel Legs
- **C-39** Right End Side Splash
- **C-40** Left End Side Splash
- **C-47** Right End Return (Corner - Drainboard Only)
- **C-48** Left End Return (Corner - Drainboard Only)



APPROVED BY:

CERTIFICATIONS:

Due to our commitment to continued product improvement, specifications are subject to change without notice.

Printed in the USA

Krowne Metal Corporation

100 Haul Rd. Wayne, NJ 07470 • Toll Free: (800) 631-0442 • Fax: (973) 872-1129
sales@krowne.com • www.krowne.com • www.facebook.com/KrowneMetal • www.twitter.com/KrowneMetal

Rev. 03/2012
No. 4.12



STANDARD SERIES UNDERBAR

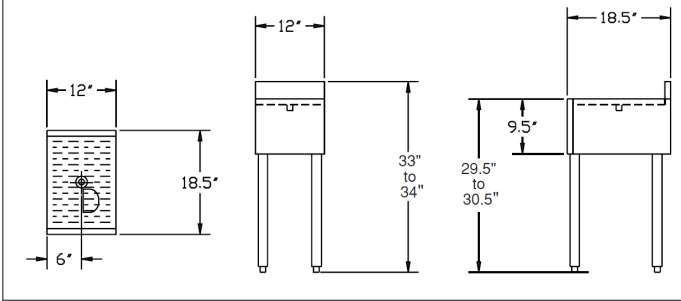
ADD-ON DRAINBOARDS / BOTTLE STORAGE

MODEL: _____ PROJECT: _____ ITEM #: _____ QTY: _____

1800 SERIES: DRAINBOARDS

| Model Numbers | Length | Leg Location | Weight (lbs.) |
|---------------|--------|--------------|---------------|
| 18-12DDL | 1'-0" | Left | 24 |
| 18-12DDR | 1'-0" | Right | 24 |
| 18-12DD | 1'-0" | Four | 24 |

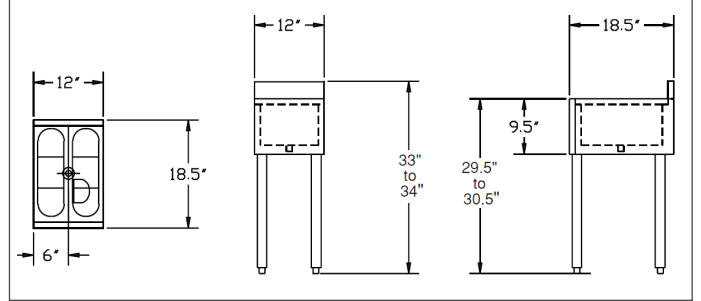
MECHANICAL REQUIREMENTS: 1" IPS drain connection



1800 SERIES: BOTTLE STORAGE

| Model Numbers | Length | Leg Location | Weight (lbs.) |
|---------------|--------|--------------|---------------|
| 18-12IBL | 1'-0" | Left | 24 |
| 18-12IBR | 1'-0" | Right | 24 |
| 18-12IB | 1'-0" | Four | 24 |

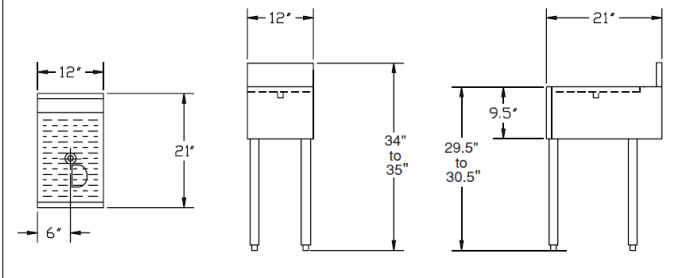
MECHANICAL REQUIREMENTS: 1" IPS drain connection



2100 SERIES: DRAINBOARDS

| Model Numbers | Length | Leg Location | Weight (lbs.) |
|---------------|--------|--------------|---------------|
| 21-12DDL | 1'-0" | Left | 24 |
| 21-12DDR | 1'-0" | Right | 24 |
| 21-12DD | 1'-0" | Four | 24 |

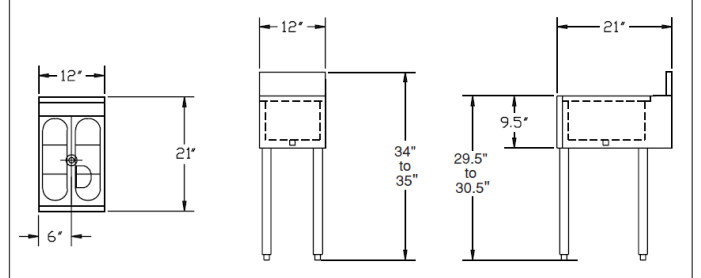
MECHANICAL REQUIREMENTS: 1" IPS drain connection



2100 SERIES: BOTTLE STORAGE

| Model Numbers | Length | Leg Location | Weight (lbs.) |
|---------------|--------|--------------|---------------|
| 21-12IBL | 1'-0" | Left | 24 |
| 21-12IBR | 1'-0" | Right | 24 |
| 21-12IB | 1'-0" | Four | 24 |

MECHANICAL REQUIREMENTS: 1" IPS drain connection



APPROVED BY: _____

CERTIFICATIONS: _____

Due to our commitment to continued product improvement, specifications are subject to change without notice.