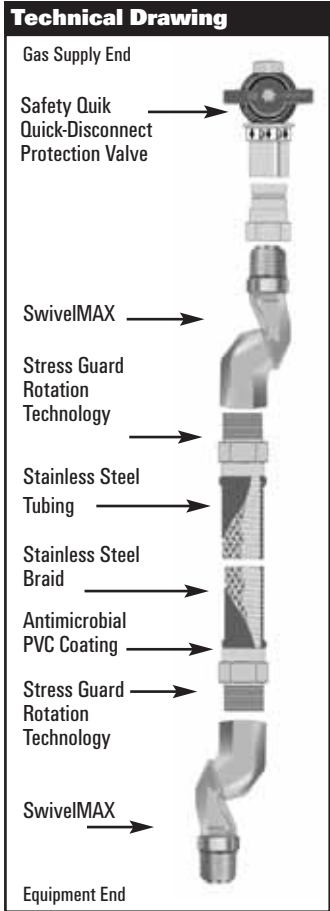


Deluxe Installation Kits & Hose Assemblies with Safety Quik™ Quick-Disconnect Protection Valve & Double SwivelMAX™



Product Part Numbers - Order Using Part Numbers Listed Below

Configuration	Inside Dia.	LENGTH				
		24"	36"	48"	60"	72"
DELUXE KIT*	1/2"	1650KITCF2S24	1650KITCF2S36	1650KITCF2S48	1650KITCF2S60	1650KITCF2S72
HOSE ASSEMBLY		1650BPCF2S24	1650BPCF2S36	1650BPCF2S48	1650BPCF2S60	1650BPCF2S72
DELUXE KIT*	3/4"	1675KITCF2S24	1675KITCF2S36	1675KITCF2S48	1675KITCF2S60	1675KITCF2S72
HOSE ASSEMBLY		1675BPCF2S24	1675BPCF2S36	1675BPCF2S48	1675BPCF2S60	1675BPCF2S72
DELUXE KIT*	1"	16100KITCF2S24	16100KITCF2S36	16100KITCF2S48	16100KITCF2S60	16100KITCF2S72
HOSE ASSEMBLY		16100BPCF2S24	16100BPCF2S36	16100BPCF2S48	16100BPCF2S60	16100BPCF2S72

BTU Flow Capacity (Flow rating BTU 0.64 SP. GR. @ 0.5 inch WC pressure drop)

Part #	Inside Dia.	LENGTH					
		12"	24"	36"	48"	60"	72"
1650BPCF2S	1/2"	88,000	77,000	69,000	60,000	54,000	48,000
1675BPCF2S	3/4"	230,000	205,000	193,000	160,000	140,000	124,000
16100BPCF2S	1"	377,000	366,000	336,000	295,000	261,000	247,000



Approvals & Certifications

- NSF International Criteria C-2, Special Equipment and/or Devices
Component
- UL 567, Pipe Connectors for Flammable and Combustible Liquids and LP-Gas
- ANSI Z21.69 / CSA 6.16 - Connectors for Moveable Gas Appliances
ANSI Z21.41 / CSA 6.9 - Quick-Disconnect Devices For Use With Gas Fuel
- ANSI Z21.15 / CGA 9.1 - Manually Operated Gas Valves for Appliances, Appliance Connector Valves, and Hose End Valves
- Meets requirements of ANSI Z223.1 / NFPA 54 - National Fuel Gas Code
- Refer to catalog page 23 for additional approvals & certifications and Dormont gas connector limited lifetime warranty
- SwivelMAX and Safety Quik are not for use in temperatures less than 32°F

Features & Specifications

- THE DORMONT BLUE HOSE:**
- TubingAnnealed, 304 stainless steel (ASTM A240)
 - BraidingMulti-strand, 304 stainless steel wire
 - CoatingAntimicrobial (patent #6,742,815) PVC, melts at 350° F, coating will not hold a flame; blue color indicates braided connector
 - End FittingsCarbon steel; zinc and yellow dichromate coating
 - Stress Guard..... 360° rotation of end fittings at both ends before and after installation (patent pending)
 - SWIVEL MAX:** Aluminum body, brass threaded end fittings
 - Movement 360° multi-plane spherical rotation
 - Patent # US patent 5,178,422 and 4,615,547; Canada patent 2,079,825
- THE SAFETY QUIK Quick-Disconnect Protection Valve:**
- Quick-Disconnect Brass body, carbon steel safety sleeve; Flat face, push-to-connect quick-disconnect; Full port, brass gas ball valve
 - Thermal Shut-off Shuts off gas flow when internal temperatures exceed 350° F
 - Patent # US patent 5,383,492
- * **DELUXE KITS INCLUDE:**
- Restraining Cable PVC coated, carbon steel, multi-strand cable and mounting hardware required for caster-mounted installations



1-800-DORMONT

Dormont

www.dormont.com

DEMAND THE DIFFERENCE!

Deluxe Installation Kits & Hose Assemblies with Safety Quik™ Quick-Disconnect Protection Valve & Single SwivelMAX™

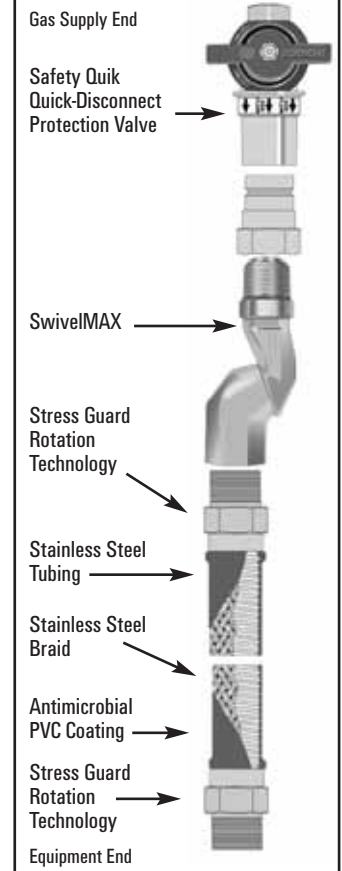
Product Part Numbers - Order Using Part Numbers Listed Below

Configuration	Inside Dia.	LENGTH				
		24"	36"	48"	60"	72"
DELUXE KIT*	1/2"	1650KITCFS24	1650KITCFS36	1650KITCFS48	1650KITCFS60	1650KITCFS72
HOSE ASSEMBLY ♦		1650BPCFS24	1650BPCFS36	1650BPCFS48	1650BPCFS60	1650BPCFS72
DELUXE KIT*	3/4"	1675KITCFS24	1675KITCFS36	1675KITCFS48	1675KITCFS60	1675KITCFS72
HOSE ASSEMBLY ♦		1675BPCFS24	1675BPCFS36	1675BPCFS48	1675BPCFS60	1675BPCFS72
DELUXE KIT*	1"	16100KITCFS24	16100KITCFS36	16100KITCFS48	16100KITCFS60	16100KITCFS72
HOSE ASSEMBLY ♦		16100BPCFS24	16100BPCFS36	16100BPCFS48	16100BPCFS60	16100BPCFS72

BTU Flow Capacity (Flow rating BTU 0.64 SP. GR. @ 0.5 inch WC pressure drop)

Part #	Inside Dia.	LENGTH					
		12"	24"	36"	48"	60"	72"
1650BPCFS	1/2"	92,000	81,000	72,000	63,000	56,000	51,000
1675BPCFS	3/4"	242,000	216,000	203,000	167,000	147,000	130,000
16100BPCFS	1"	396,000	385,000	353,000	310,000	274,000	260,000

Technical Drawing



Approvals & Certifications



NSF International Criteria C-2, Special Equipment and/or Devices

Component



UL 567, Pipe Connectors for Flammable and Combustible Liquids and LP-Gas



ANSI Z21.69 / CSA 6.16 - Connectors for Moveable Gas Appliances

C US

ANSI Z21.41 / CSA 6.9 - Quick-Disconnect Devices For Use With Gas Fuel

ANSI Z21.15 / CGA 9.1 - Manually Operated Gas Valves for Appliances, Appliance Connector Valves, and Hose End Valves

Meets requirements of ANSI Z223.1 / NFPA 54 - National Fuel Gas Code

Refer to catalog page 23 for additional approvals & certifications and Dormont gas connector limited lifetime warranty

SwivelMAX and Safety Quik are not for use in temperatures less than 32°F



Features & Specifications

THE DORMONT BLUE HOSE:

Tubing Annealed, 304 stainless steel (ASTM A240)
 Braiding Multi-strand, 304 stainless steel wire
 Coating Antimicrobial (patent #6,742,815) PVC, melts at 350° F, coating will not

hold a flame; blue color indicates braided connector
 End Fittings Carbon steel; zinc and yellow dichromate coating
 Stress Guard 360° rotation of end fittings at both ends before and after installation (patent pending)

SWIVEL MAX: Aluminum body, brass threaded end fittings
 Movement 360° multi-plane spherical rotation
 Patent # US patent 5,178,422 and 4,615,547; Canada patent 2,079,825

THE SAFETY QUIK Quick Disconnect Protection Valve:

Quick-Disconnect Brass body, carbon steel safety sleeve; Flat face, push-to-connect Protection Valve
 quick-disconnect; Full port, brass gas ball valve
 Thermal Shut-off Shuts off gas flow when internal temperatures exceed 350° F
 Patent # US patent 5,383,492

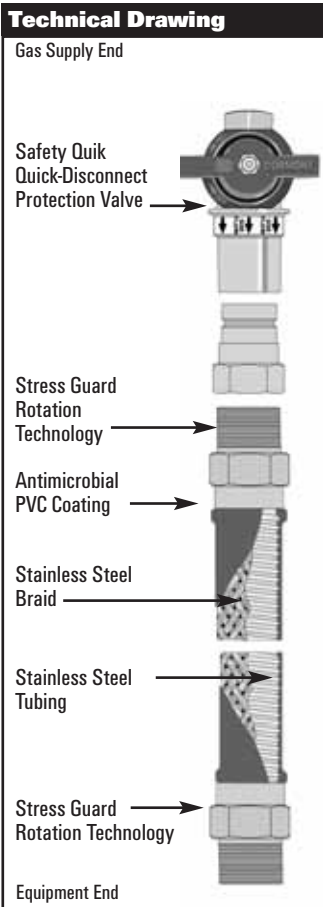
* DELUXE KITS INCLUDE:

Elbow Malleable iron - 1 included
 Restraining Cable PVC coated, carbon steel, multi-strand cable and mounting hardware required for caster-mounted installations

HOSE ASSEMBLIES

♦ INCLUDE: Hose assembly and (1) elbow

Deluxe Installation Kits & Hose Assemblies with Safety Quik™ Quick-Disconnect Protection Valve



Product Part Numbers - Order Using Part Numbers Listed Below

Configuration	Inside Dia.	LENGTH				
		24"	36"	48"	60"	72"
DELUXE KIT*	1/2"	1650KITCF24	1650KITCF36	1650KITCF48	1650KITCF60	1650KITCF72
HOSE ASSEMBLY ♦		1650BPCF24	1650BPCF36	1650BPCF48	1650BPCF60	1650BPCF72
DELUXE KIT*	3/4"	1675KITCF24	1675KITCF36	1675KITCF48	1675KITCF60	1675KITCF72
HOSE ASSEMBLY ♦		1675BPCF24	1675BPCF36	1675BPCF48	1675BPCF60	1675BPCF72
DELUXE KIT*	1"	16100KITCF24	16100KITCF36	16100KITCF48	16100KITCF60	16100KITCF72
HOSE ASSEMBLY ♦		16100BPCF24	16100BPCF36	16100BPCF48	16100BPCF60	16100BPCF72

BTU Flow Capacity (Flow rating BTU 0.64 SP. GR. @ 0.5 inch WC pressure drop)

Part #	Inside Dia.	LENGTH					
		12"	24"	36"	48"	60"	72"
1650BPCF	1/2"	98,000	87,000	77,000	68,000	60,000	55,000
1675BPCF	3/4"	260,000	232,000	218,000	180,000	158,000	139,000
16100BPCF	1"	425,000	414,000	379,000	334,000	294,000	279,000



Approvals & Certifications

- NSF** NSF International Criteria C-2, Special Equipment and/or Devices
Component
- UL** UL 567, Pipe Connectors for Flammable and Combustible Liquids and LP-Gas
- CSA** ANSI Z21.69 / CSA 6.16 - Connectors for Moveable Gas Appliances
- US** ANSI Z21.41 / CSA 6.9 - Quick-Disconnect Devices For Use With Gas Fuel
- ANSI Z21.15 / CGA 9.1 - Manually Operated Gas Valves for Appliances, Appliance Connector Valves, and Hose End Valves
- Meets requirements of ANSI Z223.1 / NFPA 54 - National Fuel Gas Code
- Refer to catalog page 23 for additional approvals & certifications and Dormont gas connector limited lifetime warranty
- Safety Quik is not for use in temperatures less than 32°F

Features & Specifications

THE DORMONT BLUE HOSE:

- Tubing Annealed 304, stainless steel (ASTM A240)
- Braiding Multi-strand, 304 stainless steel wire
- Coating Antimicrobial (patent #6,742,815) PVC, melts at 350°F, coating will not hold a flame; blue color indicates braided connector
- End Fittings Carbon steel; zinc and yellow dichromate coating
- Stress Guard 360° rotation of end fittings at both ends before and after installation (patent pending)

THE SAFETY QUIK Quick-Disconnect Protection Valve:

- Quick-Disconnect Brass body, carbon steel safety sleeve; Flat face, push-to-connect Protection Valve quick-disconnect; Full port, brass gas ball valve
- Thermal Shut-off Shuts off gas flow when internal temperatures exceed 350° F
- Patent # US patent 5,383,492

* DELUXE KITS INCLUDE:

- Elbow Malleable iron - 2 included
- Restraining Cable PVC coated, carbon steel, multi-strand cable and hardware required for caster-mounted installations

♦ HOSE ASSEMBLIES

- INCLUDE: Hose assembly and (1) elbow



1-800-DORMONT

Dormont

www.dormont.com

DEMAND THE DIFFERENCE!

Deluxe Installation Kits & Hose Assemblies with SnapFast™ QD & Double SwivelMAX™

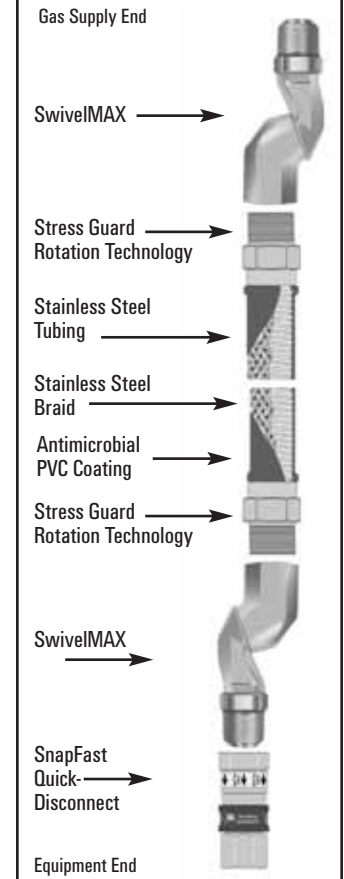
Product Part Numbers - Order Using Part Numbers Listed Below

Configuration	Inside Dia.	LENGTH				
		24"	36"	48"	60"	72"
DELUXE KIT *		1650KIT2S24	1650KIT2S36	1650KIT2S48	1650KIT2S60	1650KIT2S72
BASIC KIT **	1/2"	1650BPQ2SR24	1650BPQ2SR36	1650BPQ2SR48	1650BPQ2SR60	1650BPQ2SR72
HOSE ASSEMBLY		1650BPQ2S24	1650BPQ2S36	1650BPQ2S48	1650BPQ2S60	1650BPQ2S72
DELUXE KIT *		1675KIT2S24	1675KIT2S36	1675KIT2S48	1675KIT2S60	1675KIT2S72
BASIC KIT **	3/4"	1675BPQ2SR24	1675BPQ2SR36	1675BPQ2SR48	1675BPQ2SR60	1675BPQ2SR72
HOSE ASSEMBLY		1675BPQ2S24	1675BPQ2S36	1675BPQ2S48	1675BPQ2S60	1675BPQ2S72
DELUXE KIT *		16100KIT2S24	16100KIT2S36	16100KIT2S48	16100KIT2S60	16100KIT2S72
BASIC KIT **	1"	16100BPQ2SR24	16100BPQ2SR36	16100BPQ2SR48	16100BPQ2SR60	16100BPQ2SR72
HOSE ASSEMBLY		16100BPQ2S24	16100BPQ2S36	16100BPQ2S48	16100BPQ2S60	16100BPQ2S72
DELUXE KIT *		16125KIT2S24	16125KIT2S36	16125KIT2S48	16125KIT2S60	16125KIT2S72
BASIC KIT **	1-1/4"	16125BPQ2SR24	16125BPQ2SR36	16125BPQ2SR48	16125BPQ2SR60	16125BPQ2SR72
HOSE ASSEMBLY		16125BPQ2S24	16125BPQ2S36	16125BPQ2S48	16125BPQ2S60	16125BPQ2S72

BTU Flow Capacity (Flow rating BTU 0.64 SP. GR. @ 0.5 inch WC pressure drop)

Part #	Inside Dia.	LENGTH					
		12"	24"	36"	48"	60"	72"
1650BPQ2S	1/2"	88,000	77,000	69,000	60,000	54,000	48,000
1675BPQ2S	3/4"	230,000	205,000	193,000	160,000	140,000	124,000
16100BPQ2S	1"	377,000	366,000	336,000	295,000	261,000	247,000
16125BPQ2S	1-1/4"	482,000	472,000	461,000	449,000	441,000	440,000

Technical Drawing



Approvals & Certifications

- NSF** NSF International Criteria C-2, Special Equipment and/or Devices
Component
- UL** UL 567, Pipe Connectors for Flammable and Combustible Liquids and LP-Gas
- SA** ANSI Z21.69 / CSA 6.16 - Connectors for Moveable Gas Appliances
- C US** ANSI Z21.41 / CSA 6.9 - Quick-Disconnect Devices For Use With Gas Fuel
- Meets requirements of ANSI Z223.1 / NFPA 54 - National Fuel Gas Code
- Refer to catalog page 23 for additional approvals & certifications and Dormont gas connector limited lifetime warranty
- SwivelMAX is not for use in temperatures less than 32°F



Features & Specifications

THE DORMONT BLUE HOSE:

- Tubing Annealed, 304 stainless steel (ASTM A240)
- Braiding Multi-strand, 304 stainless steel wire
- Coating Antimicrobial (patent #6,742,815) PVC, melts at 350°F, coating will not hold a flame; blue color indicates braided connector
- End Fittings Carbon steel; zinc and yellow dichromate coating
- Stress Guard 360° rotation of end fittings at both ends before and after installation (patent pending)

THE SNAPFAST ONE-HANDED QUICK-DISCONNECT - QD:

- Quick-Disconnect Brass body, carbon steel threaded end fittings, and aluminum collar
- Thermal Shut-off Polymer insert in QD melts when internal temperatures exceed 350° F to shut off gas flow.

- SWIVEL MAX:** Aluminum body, brass threaded end fittings
- Movement 360° multi-plane spherical rotation
- Patent # US patent 5,178,422 and 4,615,547; Canada patent 2,079,825

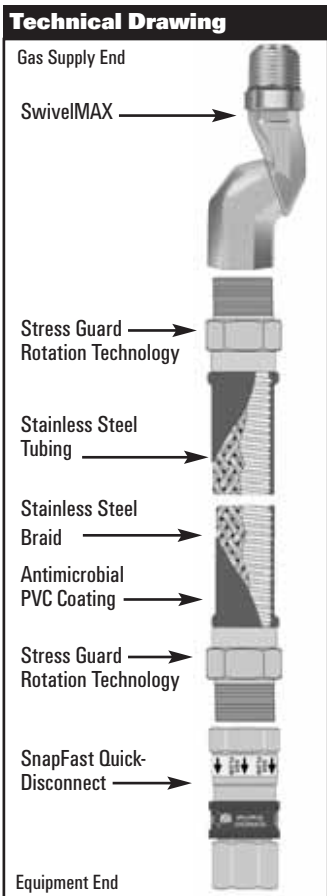
* DELUXE KITS INCLUDE:

- Restraining Cable PVC coated, carbon steel, multi-strand cable
- Valve 100% full port, brass gas ball valve

- ** **BASIC KITS INCLUDE:** ..The Dormont Blue Hose and restraining cable and hardware required for caster-mounted installations



Deluxe Installation Kits & Hose Assemblies with SnapFast™ QD & Single SwivelMAX™



Product Part Numbers - Order Using Part Numbers Listed Below

Configuration	Inside Dia.	LENGTH				
		24"	36"	48"	60"	72"
DELUXE KIT *		1650KITS24	1650KITS36	1650KITS48	1650KITS60	1650KITS72
BASIC KIT **	1/2"	1650BPQSR24	1650BPQSR36	1650BPQSR48	1650BPQSR60	1650BPQSR72
HOSE ASSEMBLY ♦		1650BPQS24	1650BPQS36	1650BPQS48	1650BPQS60	1650BPQS72
DELUXE KIT *		1675KITS24	1675KITS36	1675KITS48	1675KITS60	1675KITS72
BASIC KIT	3/4"	1675BPQSR24	1675BPQSR36	1675BPQSR48	1675BPQSR60	1675BPQSR72
HOSE ASSEMBLY ♦		1675BPQS24	1675BPQS36	1675BPQS48	1675BPQS60	1675BPQS72
DELUXE KIT *		16100KITS24	16100KITS36	16100KITS48	16100KITS60	16100KITS72
BASIC KIT **	1"	16100BPQSR24	16100BPQSR36	16100BPQSR48	16100BPQSR60	16100BPQSR72
HOSE ASSEMBLY ♦		16100BPQS24	16100BPQS36	16100BPQS48	16100BPQS60	16100BPQS72
DELUXE KIT *		16125KITS24	16125KITS36	16125KITS48	16125KITS60	16125KITS72
BASIC KIT **	1-1/4"	16125BPQSR24	16125BPQSR36	16125BPQSR48	16125BPQSR60	16125BPQSR72
HOSE ASSEMBLY ♦		16125BPQS24	16125BPQS36	16125BPQS48	16125BPQS60	16125BPQS72

BTU Flow Capacity (Flow rating BTU 0.64 SP. GR. @ 0.5 inch WC pressure drop)

Part #	Inside Dia.	LENGTH					
		12"	24"	36"	48"	60"	72"
1650BPQS	1/2"	92,000	81,000	72,000	63,000	56,000	51,000
1675BPQS	3/4"	242,000	216,000	203,000	167,000	147,000	130,000
16100BPQS	1"	396,000	385,000	353,000	310,000	274,000	260,000
16125BPQS	1-1/4"	556,000	533,000	491,000	482,000	463,000	460,000



Approvals & Certifications

- NSF International Criteria C-2, Special Equipment and/or Devices
Component
- UL 567, Pipe Connectors for Flammable and Combustible Liquids and LP-Gas
- ANSI Z21.69 / CSA 6.16 - Connectors for Moveable Gas Appliances
- ANSI Z21.41 / CSA 6.9 - Quick-Disconnect Devices For Use With Gas Fuel
- Meets requirements of ANSI Z223.1 / NFPA 54 - National Fuel Gas Code
- Refer to catalog page 23 for additional approvals & certifications and Dormont gas connector limited lifetime warranty
- SwivelMAX and SnapFast are not for use in temperatures less than 32°F



Features & Specifications

- THE DORMONT BLUE HOSE:**
 - Tubing Annealed, 304 stainless steel (ASTM A240)
 - Braiding Multi-strand, 304 stainless steel wire
 - Coating Antimicrobial (patent #6,742,815) PVC, melts at 350°F, coating will not hold a flame; blue color indicates braided connector
 - End Fittings Carbon steel; zinc and yellow dichromate coating
 - Stress Guard 360° rotation of end fittings at both ends (patent pending)
- THE SNAPFAST ONE-HANDED QUICK-DISCONNECT - QD:**
 - Quick-Disconnect Brass body, carbon steel threaded end fittings, and aluminum collar
 - Thermal Shut-off Polymer insert in QD melts when internal temperatures exceed 350° F to shut off gas flow.
- SWIVELMAX:** Aluminum body, brass threaded end fittings
 - Movement 360° multi-plane spherical rotation
 - Patent # US patent 5,178,422 and 4,615,547; Canada patent 2,079,825
- * **DELUXE KITS INCLUDE:**
 - Elbow Malleable iron - 1 included
 - Restraining Cable PVC coated, carbon steel, multi-strand cable
 - Valve 100% full port, brass gas ball valve
- ** **BASIC KITS INCLUDE:** ..The Dormont Blue Hose and restraining cable and hardware required for caster-mounted installations
- ♦ **HOSE ASSEMBLIES**
 - INCLUDE: Hose assembly and (1) elbow

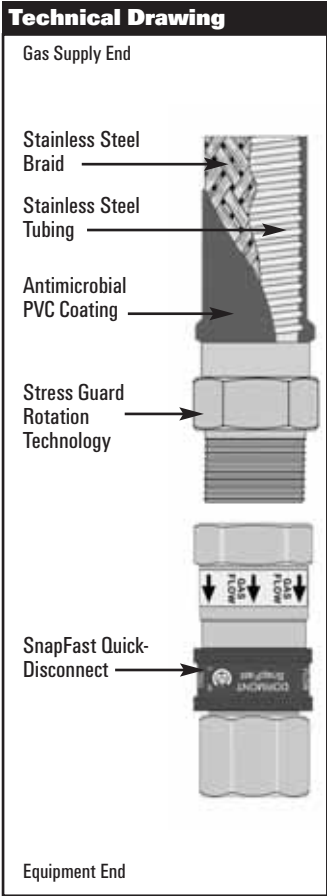
Deluxe Installation Kits & Hose Assemblies with SnapFast™ QD

Product Part Numbers - Order Using Part Numbers Listed Below

Configuration	Inside Dia.	LENGTH				
		24"	36"	48"	60"	72"
DELUXE KIT *		1650KIT24	1650KIT36	1650KIT48	1650KIT60	1650KIT72
BASIC KIT **	1/2"	1650BPQR24	1650BPQR36	1650BPQR48	1650BPQR60	1650BPQR72
HOSE ASSEMBLY		1650BPQ24	1650BPQ36	1650BPQ48	1650BPQ60	1650BPQ72
DELUXE KIT *		1675KIT24	1675KIT36	1675KIT48	1675KIT60	1675KIT72
BASIC KIT **	3/4"	1675BPQR24	1675BPQR36	1675BPQR48	1675BPQR60	1675BPQR72
HOSE ASSEMBLY		1675BPQ24	1675BPQ36	1675BPQ48	1675BPQ60	1675BPQ72
DELUXE KIT *		16100KIT24	16100KIT36	16100KIT48	16100KIT60	16100KIT72
BASIC KIT **	1"	16100BPQR24	16100BPQR36	16100BPQR48	16100BPQR60	16100BPQR72
HOSE ASSEMBLY		16100BPQ24	16100BPQ36	16100BPQ48	16100BPQ60	16100BPQ72
DELUXE KIT *		16125KIT24	16125KIT36	16125KIT48	16125KIT60	16125KIT72
BASIC KIT **	1-1/4"	16125BPQR24	16125BPQR36	16125BPQR48	16125BPQR60	16125BPQR72
HOSE ASSEMBLY		16125BPQ24	16125BPQ36	16125BPQ48	16125BPQ60	16125BPQ72

BTU Flow Capacity (Flow rating BTU 0.64 SP. GR. @ 0.5 inch WC pressure drop)

Part #	Inside Dia.	LENGTH					
		12"	24"	36"	48"	60"	72"
1650BPQ	1/2"	98,000	87,000	77,000	68,000	60,000	55,000
1675BPQ	3/4"	260,000	232,000	218,000	180,000	158,000	139,000
16100BPQ	1"	425,000	414,000	379,000	334,000	294,000	279,000
16125BPQ	1-1/4"	783,000	699,000	615,000	541,000	476,000	419,000



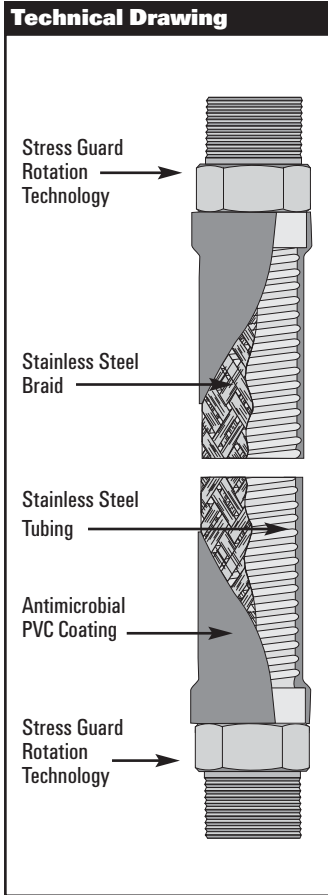
Approvals & Certifications

- NSF** NSF International Criteria C-2, Special Equipment and/or Devices
- *Component*
- CSA** ANSI Z21.69 / CSA 6.16 – Connectors for Moveable Gas Appliances
- US** ANSI Z21.41 / CSA 6.9 – Quick-Disconnect Devices For Use With Gas Fuel
- Meets requirements of ANSI Z223.1 / NFPA 54 – National Fuel Gas Code
- Refer to catalog page 23 for additional approvals & certifications and Dormont gas connector limited lifetime warranty
- SnapFast is not for use in temperatures less than 32°F



Features & Specifications

- THE DORMONT BLUE HOSE:**
 - Tubing Annealed, 304 stainless steel (ASTM A240)
 - Braiding Multi-strand, 304 stainless steel wire
 - Coating Antimicrobial (patent #6,742,815) PVC, melts at 350°F, coating will not hold a flame; blue color indicates braided connector
 - End Fittings Carbon steel; zinc and yellow dichromate coating
 - Stress Guard 360° rotation of end fittings at both ends before and after installation (patent pending)
- THE SNAPFAST ONE-HANDED QUICK-DISCONNECT - QD:**
 - Quick-Disconnect Brass body, carbon steel threaded end fittings, and aluminum collar
 - Thermal Shut-off Polymer insert in QD melts when internal temperatures exceed 350° F, to shut off gas flow
- * **DELUXE KITS INCLUDE:**
 - Elbow Malleable iron - 2 included
 - Restraining Cable PVC coated, carbon steel, multi-strand cable
 - Valve 100% full port, brass gas ball valve
- ** **BASIC KITS INCLUDE:** ...The Dormont Blue Hose and restraining cable and hardware required for caster-mounted installations



Product Part Numbers - Order Using Part Numbers Listed Below

Configuration	Inside Dia.	LENGTH				
		24"	36"	48"	60"	72"
HOSE ONLY	1/2"	1650BP24	1650BP36	1650BP48	1650BP60	1650BP72
HOSE ONLY	3/4"	1675BP24	1675BP36	1675BP48	1675BP60	1675BP72
HOSE ONLY	1"	16100BP24	16100BP36	16100BP48	16100BP60	16100BP72
HOSE ONLY	1-1/4"	16125BP24	16125BP36	16125BP48	16125BP60	16125BP72

BTU Flow Capacity (Flow rating BTU 0.64 SP. GR@ 0.5 inch WC pressure drop)

Part #	Inside Dia.	LENGTH					
		12"	24"	36"	48"	60"	72"
1650BP	1/2"	152,000	150,000	120,000	106,000	93,000	87,000
1675BP	3/4"	326,000	291,000	256,000	225,000	198,000	175,000
16100BP	1"	652,000	582,000	512,000	451,000	397,000	350,000
16125BP	1-1/4"	1,204,000	1,075,000	946,000	833,000	733,000	645,000



Approvals & Certifications

NSF NSF International Criteria C-2, Special Equipment and/or Devices
"Component"

SP ANSI Z21.69 / CSA 6.16 - Connectors for Moveable Gas Appliances
Meets requirements of ANSI Z223.1 / NFPA 54 - National Fuel Gas Code

Refer to catalog page 23 for additional approvals & certifications and Dormont gas connector limited lifetime warranty

Features & Specifications

THE DORMONT BLUE HOSE:

- Tubing Annealed, 304 stainless steel (ASTM A240)
- Braiding Multi-strand, 304 stainless steel wire
- Coating Antimicrobial (patent #6,742,815) PVC, melts at 350°F, coating will not hold a flame; blue color indicates braided connector
- End Fittings Carbon steel; zinc and yellow dichromate coating; male x male
- Stress Guard 360° rotation of end fittings at both ends before and after installation (patent pending)



Stationary Gas Connector Kits and Hoses with Antimicrobial PVC Coating

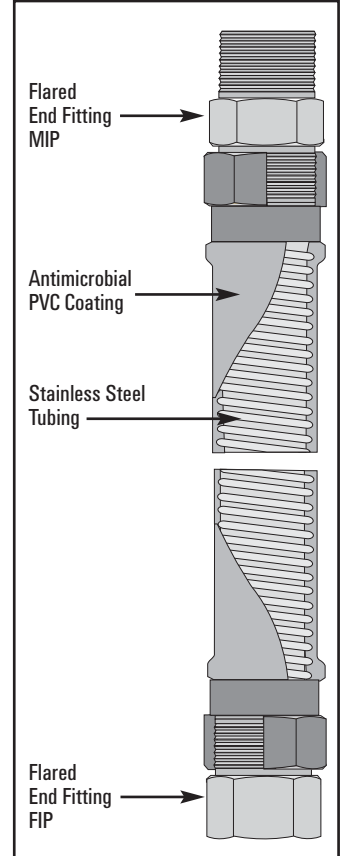
Product Part Numbers - Order Using Part Numbers Listed Below

Configuration	Inside Dia.	LENGTH				
		24"	36"	48"	60"	72"
KIT ■	1/2"	1650NPKIT24	1650NPKIT36	1650NPKIT48	1650NPKIT60	1650NPKIT72
HOSE ONLY		1650NPFS24	1650NPFS36	1650NPFS48	1650NPFS60	1650NPFS72
KIT ■	3/4"	1675NPKIT24	1675NPKIT36	1675NPKIT48	1675NPKIT60	1675NPKIT72
HOSE ONLY		1675NPFS24	1675NPFS36	1675NPFS48	1675NPFS60	1675NPFS72
KIT ■	1"	16100NPKIT24	16100NPKIT36	16100NPKIT48	16100NPKIT60	16100NPKIT72
HOSE ONLY		16100NPFS24	16100NPFS36	16100NPFS48	16100NPFS60	16100NPFS72
KIT ■	1-1/4"	16125NPKIT24	16125NPKIT36	16125NPKIT48	16125NPKIT60	16125NPKIT72
HOSE ONLY		16125NPFS24	16125NPFS36	16125NPFS48	16125NPFS60	16125NPFS72

BTU Flow Capacity (Flow rating BTU 0.64 SP. GR. @ 0.5 inch WC pressure drop)

Part #	Inside Dia.	LENGTH					
		12"	24"	36"	48"	60"	72"
1650NPFS	1/2"	152,000	150,000	120,000	106,000	93,000	87,000
1675NPFS	3/4"	326,000	291,000	256,000	225,000	198,000	175,000
16100NPFS	1"	652,000	582,000	512,000	451,000	397,000	350,000
16125NPFS	1-1/4"	1,204,000	1,075,000	946,000	833,000	733,000	645,000

Technical Drawing



Approvals & Certifications

NSF NSF International Criteria C-2, Special Equipment and/or Devices
 Component

SP ANSI Z21.24 / CSA 6.10 - Connectors for Gas Appliances
 Meets requirements of ANSI Z223.1 / NFPA 54 - National Fuel Gas Code

Refer to catalog page 23 for additional approvals & certifications and Dormont gas connector limited lifetime warranty

Features & Specifications

THE DORMONT STATIONARY HOSE:

- Tubing Annealed, 304 stainless steel (ASTM A240)
- Coating Antimicrobial (patent #6,742,815) PVC, melts at 350°F, coating will not hold a flame; yellow color indicates non-braided connector
- End Fittings Carbon steel; zinc and yellow dichromate coating; flared design; male x female

■ KITS INCLUDE:

- Elbow Malleable iron
- Valve 100% full port brass gas ball valve

ISO 9001:2000
REGISTERED