

Project _____
 Item _____
 Quantity _____
 FCSI Section 11400 _____
 Approved _____
 Date _____

LEG TYPE, GAS-FIRED KETTLES

TILTING, 2/3 STEAM JACKETED "SPASH PROOF SERIES"
 25 GALLONS (100 LITERS)

Models

- KGL-25-T



Shown with classic controls, optional Spring Assisted Cover and 2" Tangent Draw-Off Valve

easyDial Control Panel (optional) includes:

- Adjustable Temperature Control (C&F) • 99 Minute Adjustable Timer Setting • 3 Cooking Models, Cook/Simmer, Cook/On, Cook Off • 6-Built In Self Diagnostics & Display Readout • Core Temperature Probe (Optional) Indicators for Heat Cycle and Low Water Warning.
- Kettle and all exterior surfaces are a 316 Stainless Steel with a #4 finish.
- Energy efficient (65%), high performance gas-fired heating system for fast heat-up and recovery time:
- Twenty-five gallon model with 90,000 BTU firing rate and 58,500 BTU directly applied to the product.
- Supplied with Gas Pressure Regulator.
- Standard for natural gas operation.
- Large pouring lip for easier, faster, pouring. Heavy-duty Rolled Rim design provides strong reinforcement, prevents damages from abuse.
- "Splash-Proof" rear-mounted pressure/vacuum gauge.
- Steam jacket permanently filled with treated distilled water; venting and/or refilling is not required.
- 50 psi Steam Jacket Rating. Safety Valve mounted toward rear of kettle to avoid tampering.
- Automatic Electronic Spark Ignition System.
- Supplied with cord and plug for 115 volt controls.
- Tilt Mechanism of roller bearings and case hardened self-locking worm and segment gear.
- Support Legs with level adjustable feet, flanged for floor bolting.
- Typical approvals include AGA, CSA, CE, NSF and ASME.

Short Form Specifications

Shall be CLEVELAND, Gas Kettle, self-contained, tilting, Model KGL-25-T; 25 gallons, natural or LP gas, 2/3 Steam Jacketed, Type 316 Stainless Steel Interior. Jacket rated at 50psi with Safety Valve. Complete with "Splash-Proof" Solid-State Water Level, Temperature, and Safety Low Water Power Cut-Off, including L.E.D. Indicators for Heat Cycle and Low Water Warning.

Standard Features

- Self-contained gas tilting kettle is easily installed, only needs a gas connection and a 115 volt outlet.
- Accurate, "Splash Proof", constant solid state temperature controls - less than $\pm 1^{\circ}\text{C}$ variance (ideal for simmering). Operating temperature range from 145° - 260°F (63°C - 127°C)

Standard Control Panel includes:

- LED indicator for heat cycle • LED indicator for low water
- Power ON/OFF Dial with 1-10 Temperature Dial Setting

Options & Accessories

- Propane Gas Option (LP)
- Kettle Markings (KM)
- Spring Assist Cover (CHS)
- Lift Off Cover (CL)
- Basket Strainer (BS and TBS)
- Measuring Strip (MS)
- Food Strainer (FS)
- Hot and cold water faucet (DPK), or cold water (SPK). Requires faucet bracket (FBKT)
- 2" Tangent Draw-Off Valve (TD2)
- Kettle Accessory Kit (KAK) includes:
 - Clean-up Brush (CB)
 - 36" Kettle Paddle (KP)
 - 36" Kettle Whip (KW)
 - 36" Kettle Brush
 - Draw-Off Brush (DB)
 - 24 oz. Ladle (KL)
- Correctional Packages

KE004046-70

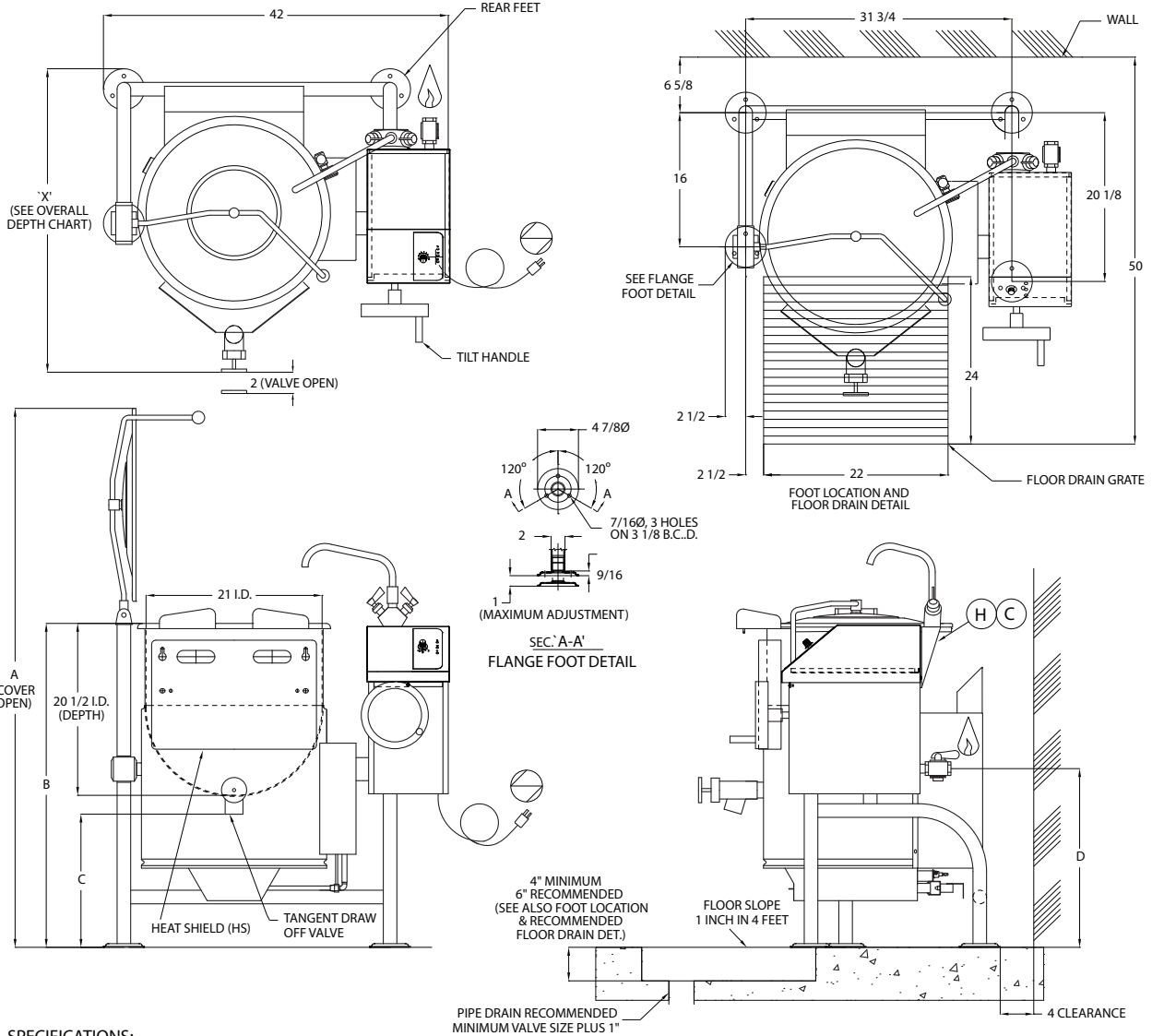
VALVE	A	B	C	D
WITHOUT	65	38 5/8	32 1/2	21 3/8
TDV-2	65	38 5/8	15	21 3/8
TDV-3	69	42 5/8	18 1/2	25 3/8

UNIT SHOWN WITH OPTIONAL TDV-2 OR 3, SPRING ASSIST COVER AND DOUBLE PANTRY FAUCET.
ALL DIMENSIONS ARE SHOWN IN INCHES.

OVERALL DEPTH DESCRIPTION	DIM 'X'
KETTLE WITH TDV-2	37
KETTLE WITHOUT TDV-2 TILT HANDLE ON	32 1/2
FOR PASSING THROUGH NARROW DOORS	
* KETTLE WITH TDV-2 STEM & REAR FEET REMOVED	32 1/2
* KETTLE WITHOUT TDV-2	31 1/2
* KETTLE WITHOUT TDV-2 & REAR FEET REMOVED	30

OVERALL DEPTH DESCRIPTION	DIM 'X'
KETTLE WITH TDV-3	41
KETTLE WITHOUT TDV-3 TILT HANDLE ON	32 1/2
FOR PASSING THROUGH NARROW DOORS	
* KETTLE WITH TDV-3 STEM & REAR FEET REMOVED	37 1/2
* KETTLE WITHOUT TDV-3	31 1/2
* KETTLE WITHOUT TDV-3 & REAR FEET REMOVED	30

* TILT HANDLE REMOVED



SPECIFICATIONS:

MODEL	ELECTRICAL SUPPLY:				GAS SUPPLY: (PIPING 3/4 NPT)				APPROVALS				CLEARANCE:	SHIPPING WEIGHT	COLD WATER: (C) COLD WATER: (H) HOT WATER:	
	VOLTS	PHASE	AMPS	FREQ	TYPE	BTU RATING	WATER COLUMN	BTU PER CU. FT.	SUPPLY PRESSURE	AGA	CGA	CE MARK			NSF	RIGHT: 0 inches
KGL-25-T	120	1	5	60	NAT	90,000	4.2	1000	4" TO 14" W.C.	✓	✓		✓	320 LBS.	ALLOW 12" SPACE MINIMUM ON RIGHT SIDE FOR SERVICE	PIPING: 1/2" NPT (DOUBLE)
	120	1	5	60	LP	90,000	10	2500	4" TO 14" W.C.	✓	✓		✓			
	220	1	3	60	NAT	90,000	4.2	1000	4" TO 14" W.C.				✓			
	220	1	3	60	LP	90,000	10	2500	4" TO 14" W.C.				✓			

• CAPACITIES: (in 4 oz. servings, other sizes may be calculated)
25 gallons / 100 liters 426 servings

NOTES:

Cleveland Range reserves right of design improvement or modification, as warranted. Many regional, state and local codes exist and it is the responsibility of the owner and installer to comply with the codes. Cleveland Range equipment is built to comply with applicable standards for manufacturers. Included among those approval agencies are U.L./NSF#4 and CSA (AGA, CGA).

(NOT TO SCALE)

Gas Kettles