

## Ultra Camtainers®

### For Hot and Cold Beverages

Models UC250 2<sup>3</sup>/<sub>4</sub> gallon (10,4 L)  
 UC500 5<sup>1</sup>/<sub>4</sub> gallon (19,9 L)  
 UC1000 10<sup>1</sup>/<sub>2</sub> gallon (39,7 L)



### Features & Benefits

- Attractive sleek look is perfect for front-of-the-house hot and cold beverage service. Stacks easily for storage and transportation and will also stack with Camtainer® Insulated Containers.
- Serving capacity:
  - Model UC250 - 50 each 7 oz. (210 mL) cups
  - Model UC500 - 96 each 7 oz. (210 mL) cups
  - Model UC1000 - 192 each 7 oz. (210 mL) cups
- Single-molded, seamless, double-wall, high-density, polyethylene construction is highly durable, dishwasher safe, and resists dings and dents. Textured exterior is scratch-resistant.
- Polyurethane foam insulation provides excellent hot or cold temperature retention for hours. Hot beverages remain hot without the need for a costly external heating source.
- E-Z grip molded-in handles offer comfortable, easy transporting.
- Nylon over-center latch design ensures easy opening and closing and helps to maintain maximum temperature retention.
- Drip proof recessed large spigot allows for convenient access and accommodates large drinking vessels. Optional Easy-Serve Dispenser lever makes dispensing a snap.
- Vent cap helps to equalize pressure and release steam.
- Self-adhesive beverage labels included for quick identification of contents.
- Optional Condiment Holders and Risers fit all models.
- Optional Camdollies™ offer easy transporting.
- Non-electrical.
- No assembly required.
- Available in 15 colors.

Item No. \_\_\_\_\_

Specifier Identification No. \_\_\_\_\_

Model No. \_\_\_\_\_

Quantity \_\_\_\_\_



UC1000

UC500

UC250

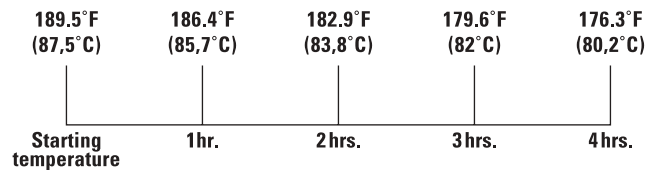


Dispensing becomes as easy as pressing a cup against the optional Easy Serve Dispenser under spout.

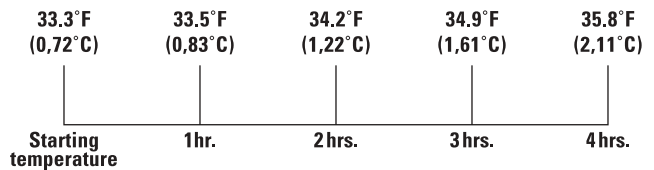


Large opening accommodates wide drinking vessels. Recessed faucet is positioned to handle larger cups.

### "Ultra Camtainers Keep Beverages Hot for Hours!"



### "Ultra Camtainers Keep Beverages Cold for Hours!"



### Approvals



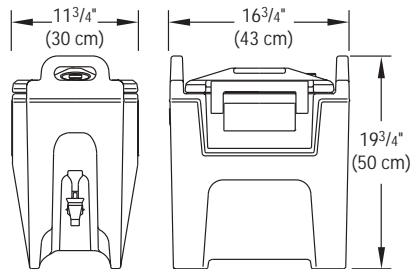
# Ultra Camtainers®

## For Hot and Cold Beverages

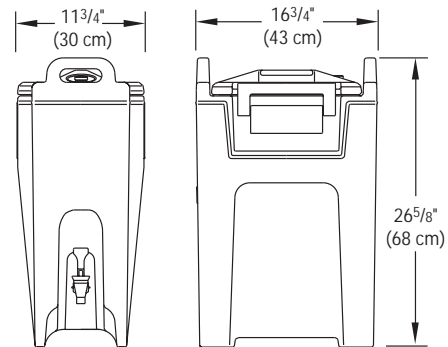
Models UC250 2<sup>3</sup>/<sub>4</sub> gallon (10,4 L)

UC500 5<sup>1</sup>/<sub>4</sub> gallon (19,9 L)

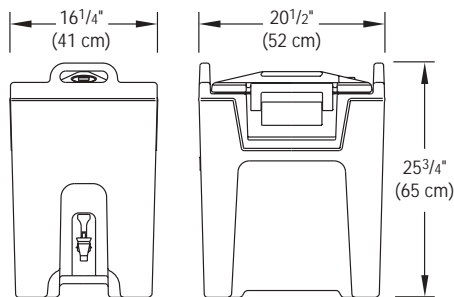
UC1000 10<sup>1</sup>/<sub>2</sub> gallon (39,7 L)



UC250



UC500



UC1000

Item No. \_\_\_\_\_

Specifier Identification No. \_\_\_\_\_

Model No. \_\_\_\_\_

Quantity \_\_\_\_\_

## Specifications

Dimension Tolerance: +/- 1/4" (0,64 cm)

Code	Description	Total Capacity	Serving Capacity 7 oz. (210 mL) cups	Dimensions W x D x H	Case lbs./cube Kg./m <sup>3</sup>
UC250	Ultra Camtainer	2 <sup>3</sup> / <sub>4</sub> gal. (10,4 L)	50	11 <sup>3</sup> / <sub>4</sub> " x 16 <sup>3</sup> / <sub>4</sub> " x 19 <sup>3</sup> / <sub>4</sub> " (30 x 43 x 50 cm)	17 (2.48) 7,7 (0,069)
UC500	Ultra Camtainer	5 <sup>1</sup> / <sub>4</sub> gal. (19,9 L)	96	11 <sup>3</sup> / <sub>4</sub> " x 16 <sup>3</sup> / <sub>4</sub> " x 26 <sup>5</sup> / <sub>8</sub> " (30 x 43 x 68 cm)	21 (3.25) 9,5 (0,09)
UC1000	Ultra Camtainer	10 <sup>1</sup> / <sub>2</sub> gal. (39,7 L)	192	16 <sup>1</sup> / <sub>4</sub> " x 20 <sup>1</sup> / <sub>2</sub> " x 25 <sup>3</sup> / <sub>4</sub> " (41 x 52 x 65 cm)	31 (4.21) 14,1 (0,118)

## Optional Accessories

- Riser**
- R500LCD fits UC250 & UC500
  - R1000LCD fits UC1000
- Condiment Holder**
- LCDCH fits UC250 & UC500
  - LCDCH10 fits UC1000
- Easy Serve Dispenser**
- LCDES Black (110)
- Camdolly™**
- CD100
  - CD100H fits UC250 and UC500
  - CD100HB fits UC250 and UC500
  - CD300
  - CD300H fits UC1000
  - CD300HB fits UC1000

## Standard Colors

- Dusty Rose (400)
- Navy Blue (186)
- Slate Blue (401)
- Cold Blue (159)
- Coffee Beige (157)
- Dark Brown (131)
- Brick Red (402)
- Green (519)
- Black (110)
- Hot Red (158)
- Dark Taupe (417)
- Granite Gray (191)
- Granite Green (192)
- Granite Red (193)
- Granite Sand (194)

## Architect Specs

The portable non-electrical hot and cold beverage container/server shall be an Ultra Camtainer, Models ..., manufactured by Cambro Mfg. Co., Huntington Beach, CA 92648 U.S.A. It shall be made of one-piece, seamless, double-wall, high-density polyethylene and foam-injected polyurethane. It shall have a vent cap to help equalize pressure and release steam. It shall have durable, nylon over-center latches. It shall have E-Z grip molded-in handles. It shall have a drip proof, recessed serving spigot designed with easy finger adjustment. It shall have the option of an Easy Serve Dispenser lever. It shall have self-adhesive beverage labels to use for quick product identification. It shall have an optional Condiment Holder and Riser. It shall require no assembly and shall be available in 15 colors.

## Approvals



**CAMBRO**  
MANUFACTURING COMPANY  
http://www.cambro.com

© 2005 Cambro Manufacturing Company 5801 Skylab Road, Huntington Beach, California 92647-2056-U.S.A.  
Telephone (1)714 848 1555 Toll Free 800 854 7631 Customer Service Hot Line 800 833 3003

Printed in USA