



**Backflow Preventers**  
**B-0969-RK01**

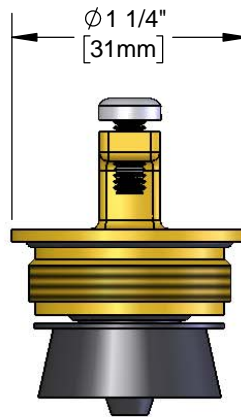
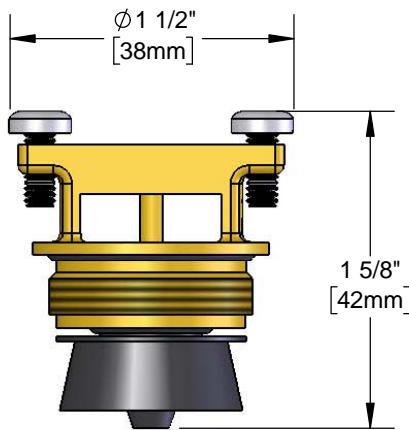
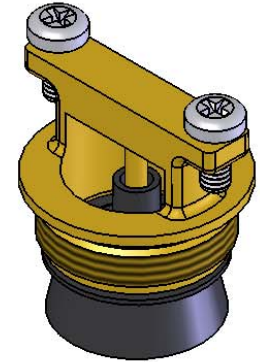
TAG:

*Vacuum Breaker Repair Kit*

**Architect/Engineering Specifications:**

1/2" NPT Vacuum breaker repair kit with brass insert, o-ring and piston. Certified to NSF 61-Section 9 and NSF 372.

Job Name \_\_\_\_\_  
 Model Specified \_\_\_\_\_ Quantity \_\_\_\_\_  
 Variations Specified \_\_\_\_\_  
 Date \_\_\_\_\_



**Features & Benefits:**

- 1/2" NPT vacuum breaker brass insert
- O-ring
- Disc seal
- Float piston
- Cover plate screws
- Material: Brass Insert

**Product Compliance:**

- NSF 61 - Section 9
- NSF 372 (Low Lead Content)



**Warranty:** One Year (Limited)

**Performance Data:**

- N/A



**T&S BRASS AND BRONZE WORKS, INC.**



• 2 Saddleback Cove • Travelers Rest, SC 29690  
 Ph 800-476-4103 • Fax 864-834-3518  
 • Simi Valley, CA • Ph 800-423-0150 • www.tsbrass.com

Date: 10/12/17