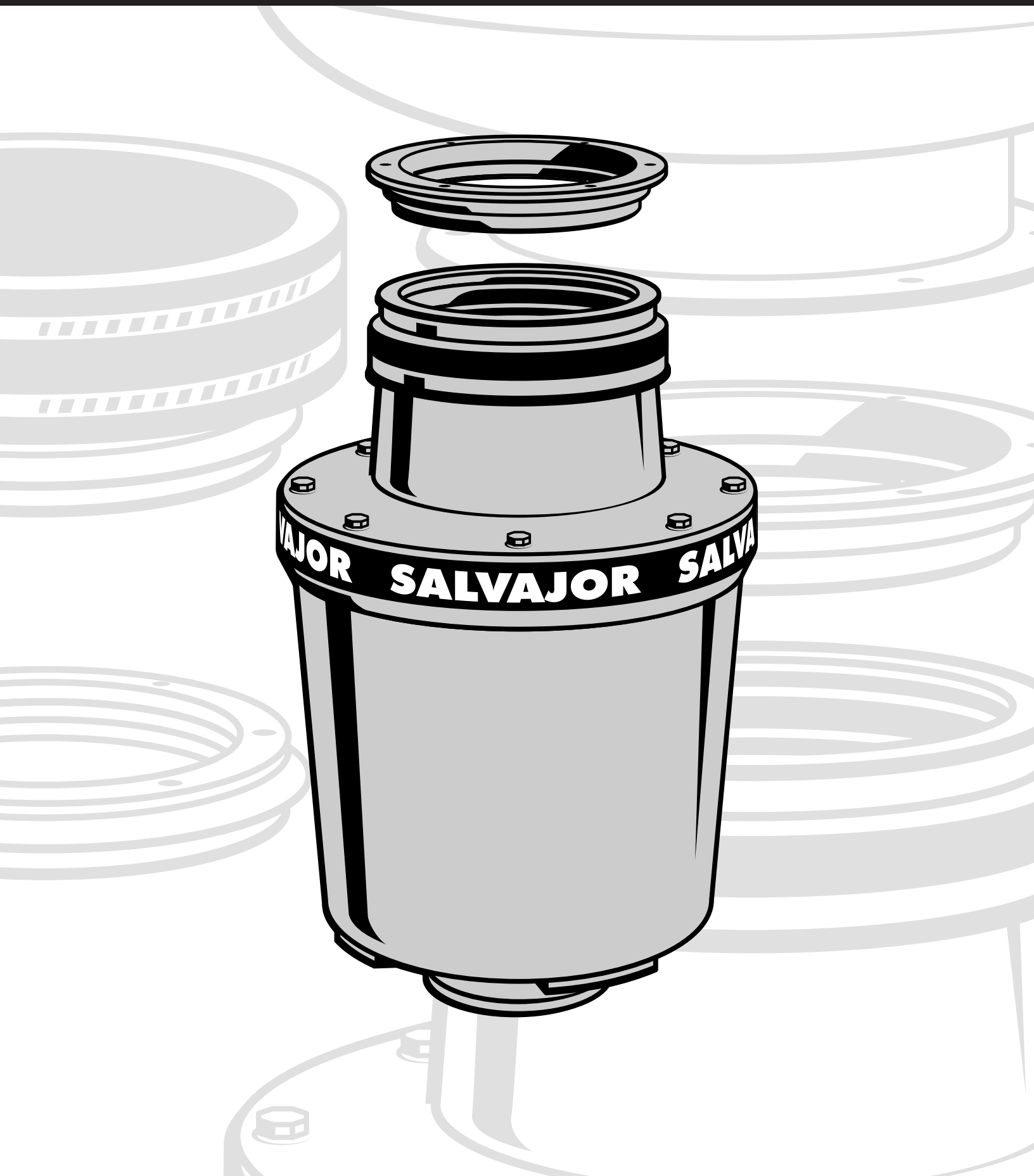


Salvajor Adaptor Mounting Kits

For replacing any disposer with a SALVAJOR DISPOSER





Adaptor Selection Chart

DIRECTIONS for selecting proper adaptor kit:

1. Find existing cone or sink shape with the GROUP CHART shown at left.
2. Measure "1, 2, 3, 4, & 5" dimensions from existing cone or sink. **DO NOT TAKE MEASUREMENTS FROM OLD DISPOSER.** Existing cone and disposer may be of different manufacture.
3. Select the adaptor kit that corresponds with your measurements.

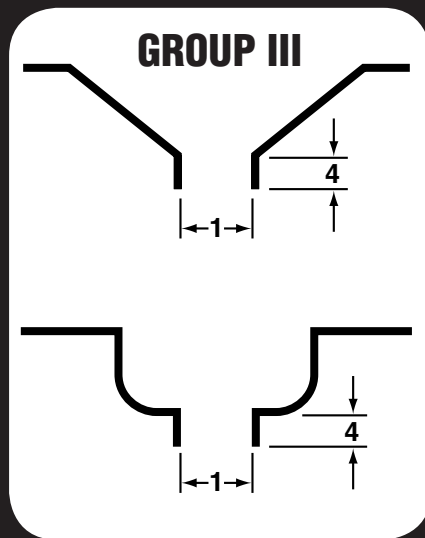
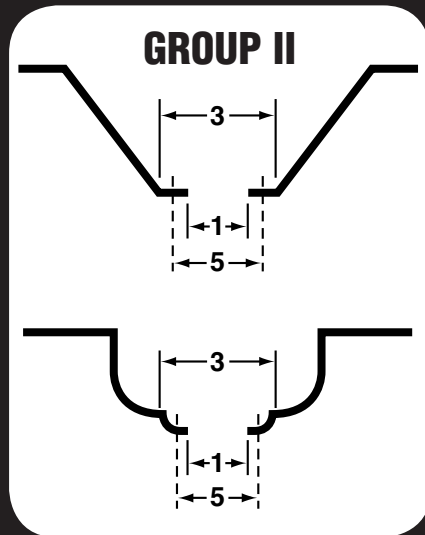
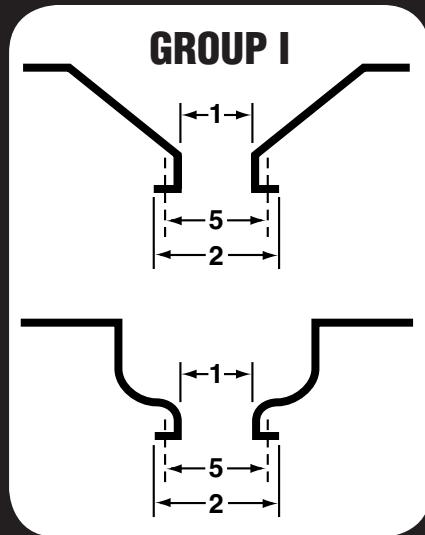
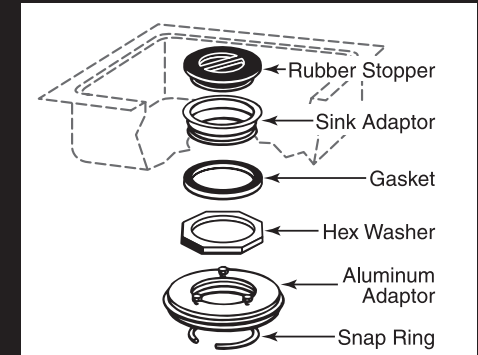
DIMENSIONS REQUIRED:

- A. #1 Throat opening.
- B. #2 Outside diameter of flange.
- C. #3 Diameter of inside bend.
- D. #4 Throat height.
- E. #5 Distance between opposite bolt holes.
- F. Number of bolt holes.
- G. Distance from bottom of cone/sink flange to floor.

If your measurements differ from those shown, Salvajor will fabricate to your needs. Call Salvajor Technical Support for assistance.

816-363-1030 or TOLL FREE 1-888-SALVAJOR (725-8256)

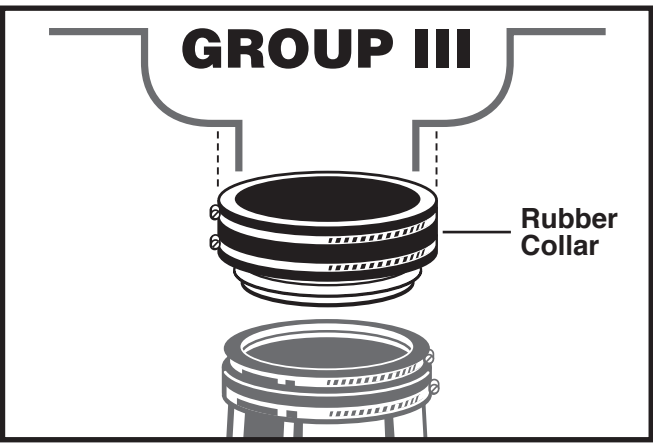
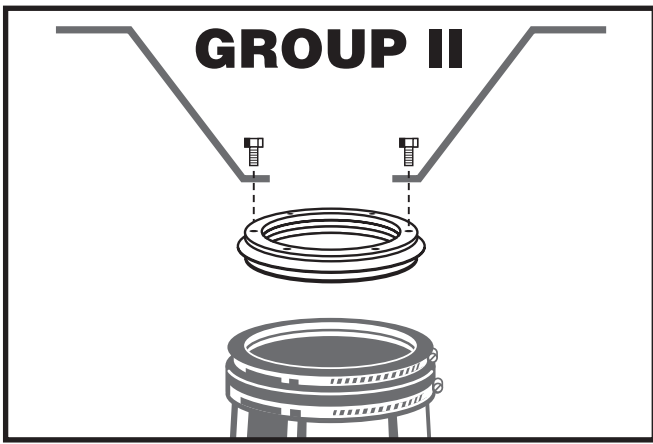
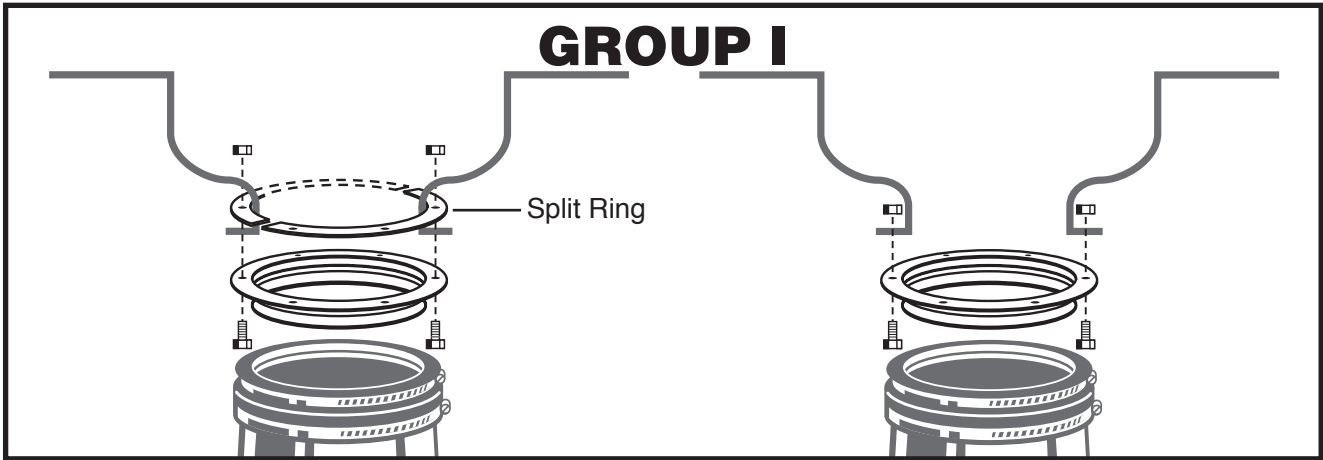
NOTE: If existing sink has standard 3 1/2"-4" opening, use #70 sink collar assembly in lieu of adaptor.



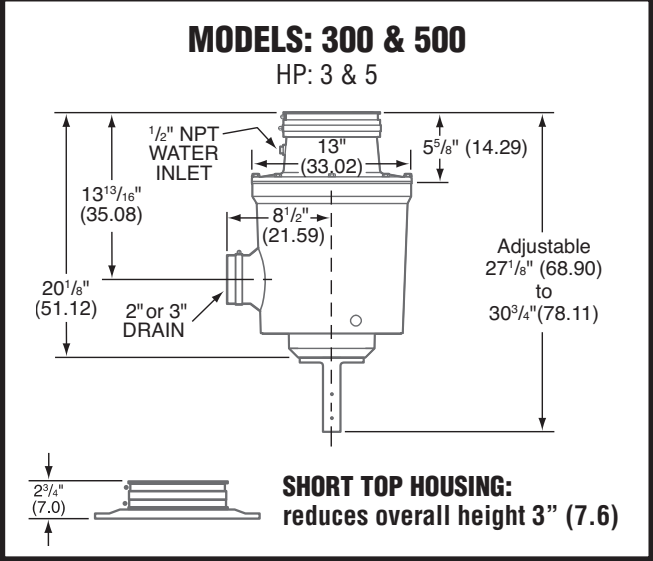
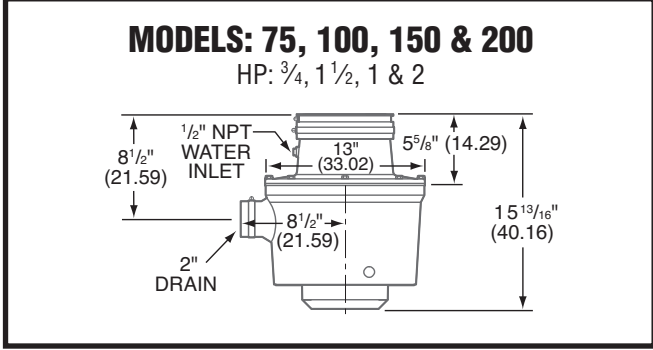
| | USED BY: | DIMENSIONS FROM EXISTING CONE OR SINK: | | | | | No. of Bolt Holes: | Salvajor Adaptor Kit Number: | SPECIAL INFORMATION: |
|------------------|-----------------------------------|--|---------|--------|--------|---------|--------------------|------------------------------|--|
| | | #1 | #2 | #3 | #4 | #5 | | | |
| GROUP I | Waste King, ISE, Toledo, National | 4 1/2" | 5 1/8" | | | | | 3500 | Discard Previous Parts |
| | Waste King, Red Goat | 4 1/2" | 6 1/2" | | | 5 1/2" | 6 | 3500 | Discard Previous Parts |
| | FMC | 4 5/8" | 5 1/8" | | | | | 3500 | Discard Previous Parts |
| | FMC, Avont | 5 | 6 1/2" | | | 6 | 6 | 3550 | Discard Previous Parts |
| | FMC | 5 1/4" | 5 1/16" | | | | | 3550 | Retain FMC Split Ring |
| | Waste King | 6 | 6 1/2" | | | | | 4530A | Use Cone Mounting Ring |
| | ISE, Toledo, Bus Boy, Toastmaster | 6 | 7 3/16" | | | | | 3300 | Discard Previous Parts |
| | Atomic, American Delphi | 6 | 7 1/2" | | | 6 3/4" | 6 | 3000 | Discard Previous Parts |
| | ISE | 6 5/8" | 7 1/8" | | | | | 3900 | Discard Previous Parts |
| | Hobart, Toledo, National | 7 | 7 3/8" | | | | | 3100 | Discard Previous Parts |
| | Hobart, National, Big Genie | 7 | 8 1/2" | | | 8 1/16" | 10 | 5050 | Discard Previous Parts |
| | ISE, Toledo | 8 | 9 1/4" | | | | | 3400 | Drill Holes in Cone Flange to Match Holes in Adaptor |
| Hobart | 9 | 12 1/8" | | | | 11 1/8" | 8 | 3200 | Discard Previous Parts |
| GROUP II | Hobart | 4 1/2" | | 6 7/8" | | 5 1/2" | 6 | 7250 | Retain Full Interior Ring |
| | Hobart | 5 | | 5 7/8" | | | | 7250 | Retain Full Interior Ring |
| | Waste King, Bus Boy | 5 7/8" | | 6 1/2" | | | | 7250 | Retain Full Interior Ring |
| | Waste King, Bus Boy | 5 7/8" | | 6 7/8" | | | | 7250 | Retain Full Interior Ring |
| | GE | 6 | | 6 3/8" | | | | 7250 | Retain Full Interior Ring |
| GROUP III | Red Goat | 4 1/2" | | | 1 1/8" | | | 4200 | Use Leg & Retain Existing Collar |
| | Waste King | 6 | | | 1 1/8" | | | RFR | Use Leg & Retain Existing Collar |
| | Cannibal | 6 1/2" | | | 1 1/8" | | | STD. Equip. | Use Leg & Retain Existing Collar |
| | Red Goat | 7 | | | 1 1/8" | | | 7550 | Use Leg & Retain Existing Collar |
| | Master, Insinger | 8 1/4" | | | 1 1/8" | | | 8250 | Use Leg & Retain Existing Collar |

Salvajor Adaptor Installations

D E T A I L S A N D D I M E N S I O N S



SALVAJOR DIMENSIONAL DATA



NOTE: Dimensions in parenthesis are in centimeters



The Salvajor Company 4530 East 75th Terrace Kansas City, Missouri 64132-2081, USA
 1-800-821-3136 (816) 363-1030 FAX: 1-800-832-9373
 www.salvajor.com Email: sales@salvajor.com service@salvajor.com
 Manufacturers of Commercial Food Waste Disposing Systems since 1944